



MBS-1832DAS METALWORKING BANDSAW

MBS-1832DAS50000320T3~400V, 50Hz

PARTS LIST



JPW Tool Group Hong Kong Limited
98 Granville Road, Tsimshatsui East, Kowloon, Hong Kong, PRC
www.jettools.com

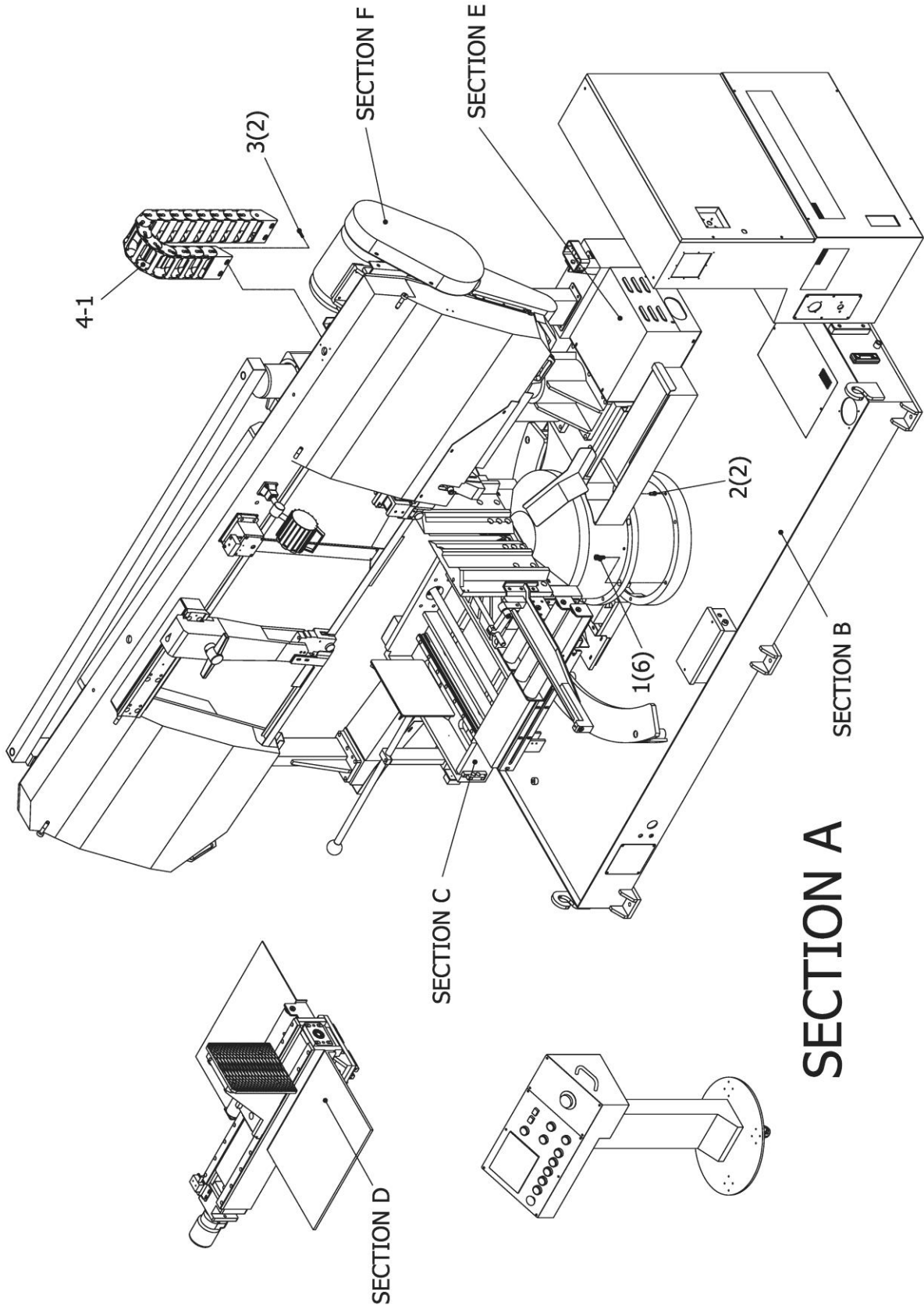
Импортер в РФ: ООО «ИТА Технолоджи»
105082, Москва, Переведеновский пер., д. 17
www.jettools.ru

Made in Taiwan / Сделано на Тайване

P-50000320T

2024-03

MBS-1832DAS Conveyor Structure Assembly

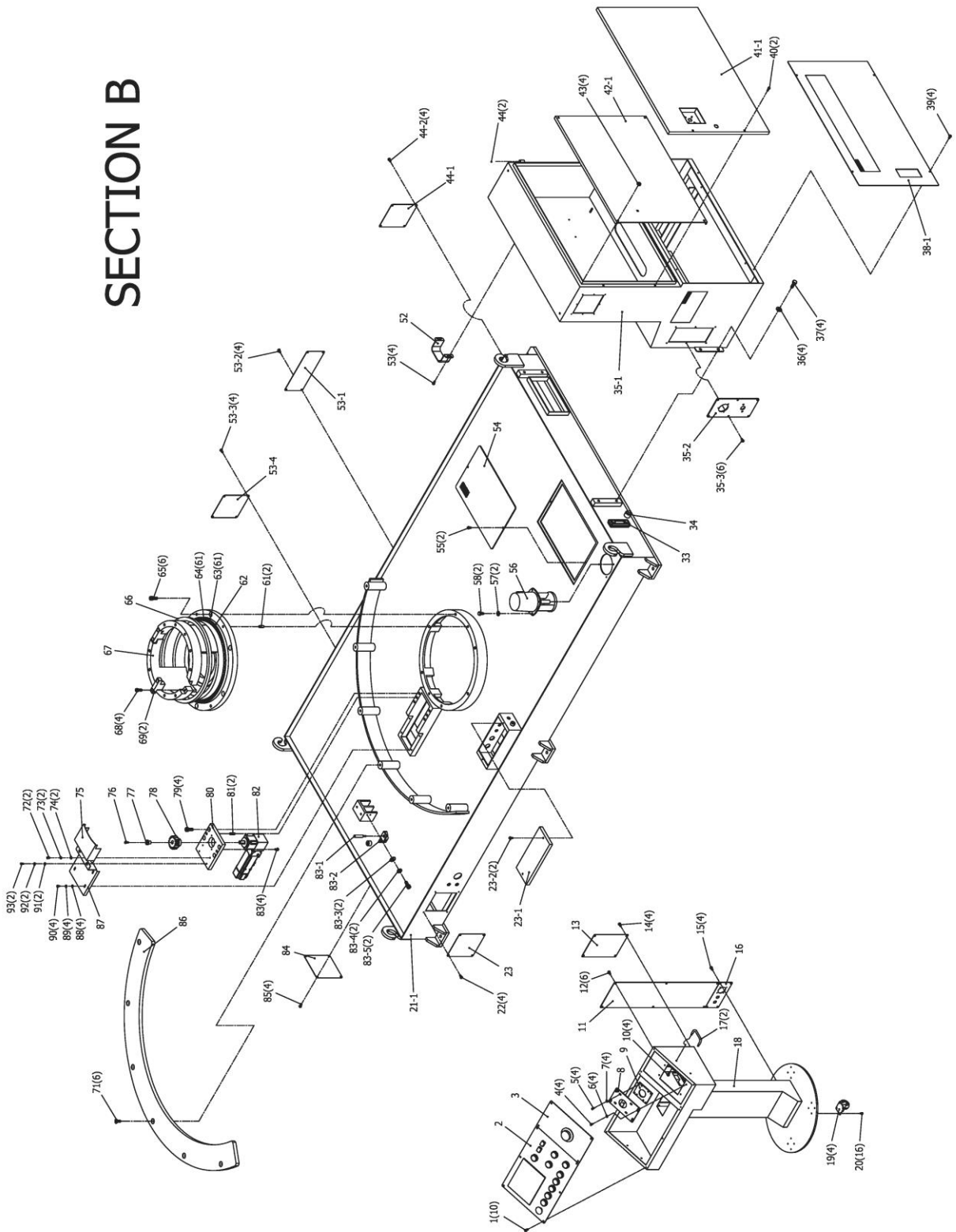


MBS-1832DAS Conveyer Structure Assembly Partslist

Index No.	Part No.	Description	Size	Q'ty
A1.....	1832DAS-A1	Hex. Socket Cap Screw	M14x45L.....	6
A2.....	1832DAS-A2	Spring Pin.....	10x30L	2
A3.....	TS-2248252E	Button Head Socket Screw	M8x25L.....	2
A4-1.....	1832DAS-A4-1	Wire Channel	1

MBS-1832DAS Stand Assembly

SECTION B



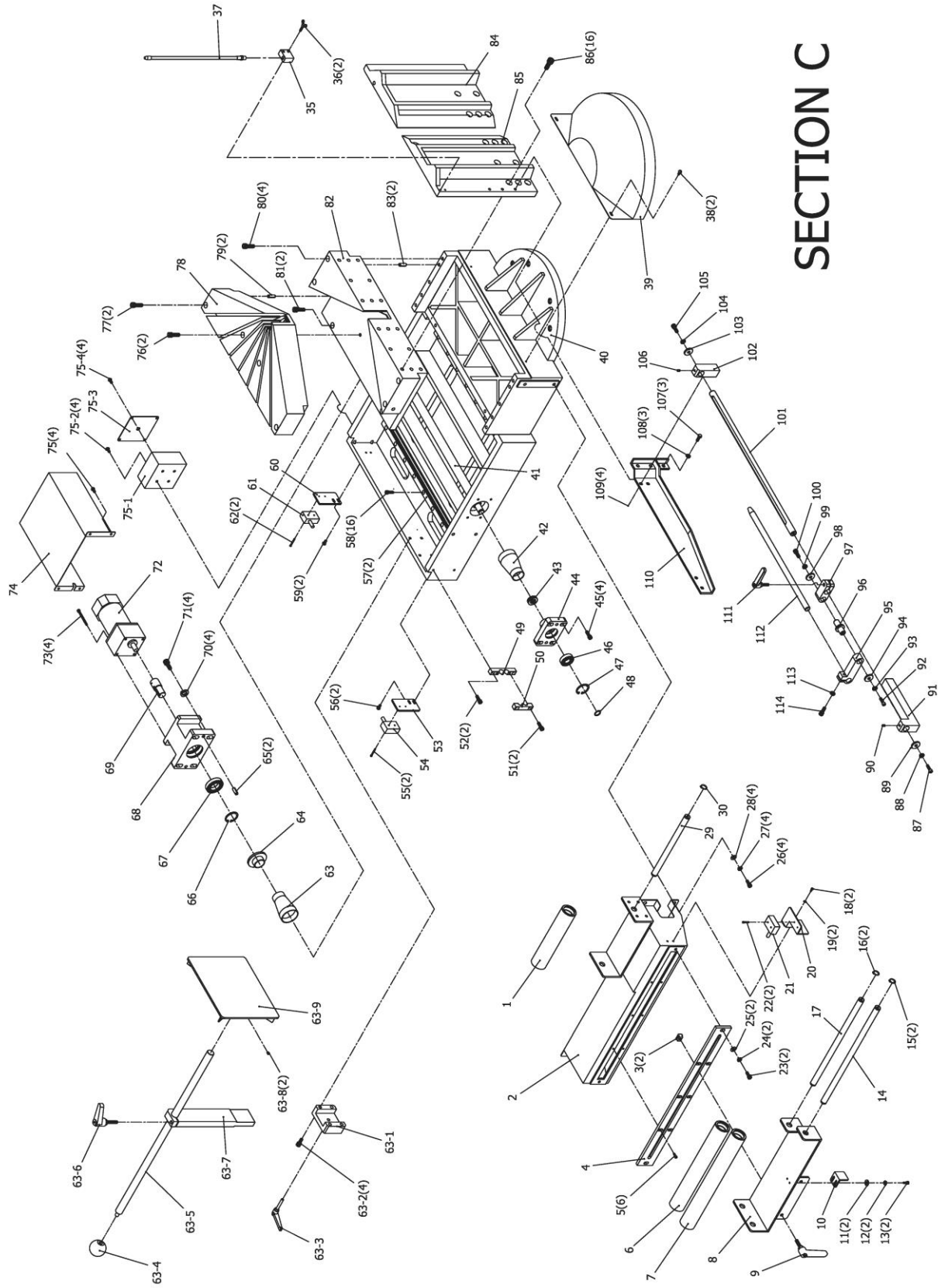
MBS-1832DAS Stand Assembly Partslist

Index No.	Part No.	Description	Size	Q'ty
B1.....	TS-2246082E	Button Head Socket Screw	M6x8L	10
B2.....	1832DAS-B2	Control Panel		1
B3.....	1832DAS-B3	Cutting Feed Rate Panel		1
B4.....	TS-1503011E	Hex. Socket Cap Screw	M6x8L	4
B5.....	TS-1502011E	Hex. Socket Cap Screw	M5x8L	4
B6.....	1832DAS-B6	Washer	M6	4
B7.....	1832DAS-B7	Washer	M5	4
B8.....	1832DAS-B8	Throttle Plate		1
B9.....	1832DAS-B9	Throttle Holder		1
B10.....	TS-2246082E	Button Head Socket Screw	M6x8L	4
B11.....	1832DAS-B11	Rear Cover		1
B12.....	1832DAS-B12	Button Head Socket Screw	M5x8L	6
B13.....	1832DAS-B13	Control Box Cover.....		1
B14.....	1832DAS-B14	Button Head Socket Screw	M5x8L	4
B15.....	1832DAS-B15	Button Head Socket Screw	M5x8L	4
B16.....	1832DAS-B16	Control Box Wire Plate.....		1
B17.....	1832DAS-B17	Handle		2
B18.....	1832DAS-B18	Control Panel Box		1
B19.....	1832DAS-B19	Driven Wheel		4
B20.....	TS-1482031E	Hex. Cap Bolt	M6x16L.....	16
B21-1.....	1832DAS-B21-1	Machine Base(Servo Motor).....		1
B22.....	1832DAS-B22	Button Head Socket Screw	M5x8L	4
B23.....	1832DAS-B23	Machine Base Cover A		1
B23-1.....	1832DAS-B23-1	Wire Cover.....		1
B23-2.....	1832DAS-B23-2	Button Head Socket Screw	M5x8L	2
B33.....	1832DAS-B33	Coolant Level Gauge		1
B34.....	1832DAS-B34	Plug	3/8"	1
B35-1.....	1832DAS-B35-1	Oil And Electricity Integration Box		1
B35-2.....	1832DAS-B35-2	Vise Pressure Control Valve Plate.....		1
B35-3.....	TS-2246122E	Button Head Socket Screw	M6x12L.....	6
B36.....	1832DAS-B36	Washer	M12	4
B37.....	TS-1492011E	Hex. Cap Bolt	M12x25L.....	4
B38-1.....	1832DAS-B38-1	Hydraulic Unit Cover		1
B39.....	TS-2246082E	Button Head Socket Screw	M6x8L	4
B40.....	TS-1503061E	Hex. Socket Cap Screw	M6x25L.....	2
B41-1.....	1832DAS-B41-1	Cover.....		1
B42-1.....	1832DAS-B42-1	Plant.....		1
B43.....	1832DAS-B43	Nut	M6	4
B44.....	1832DAS-B44	Latch		2
B44-1.....	1832DAS-B44-1	Machine Base Cover A		1
B44-2.....	1832DAS-B44-2	Button Head Socket Screw	M5x8L	4
B52.....	1832DAS-B52	Wire Fixer		1
B53.....	TS-2246162E	Button Head Socket Screw	M6x16L.....	4
B53-1.....	1832DAS-B53-1	Machine Base Cover B		1
B53-2.....	1832DAS-B53-2	Button Head Socket Screw	M5x8L	4
B53-3.....	1832DAS-B53-3	Button Head Socket Screw	M5x8L	4
B53-4.....	1832DAS-B53-4	Machine Base Cover A		1
B54.....	1832DAS-B54	Filter		1
B55.....	TS-2246082E	Button Head Socket Screw	M6x8L	2
B56.....	1832DAS-B56	Pump.....	0.12 kW 400V 3Ph.....	1
B57.....	1832DAS-B57	Spring Washer	M6	2
B58.....	TS-1482051E	Hex. Cap Bolt	M6x25L.....	2
B61.....	1832DAS-B61	Spring Pin.....	10x30L	2
B62.....	1832DAS-B62	Shaft Bushing (Down)		1
B63.....	1832DAS-B63	Steel Ball	D10.....	61
B64.....	1832DAS-B64	Spring.....		61
B65.....	1832DAS-B65	Hex. Socket Cap Screw	M14x45L.....	6
B66.....	1832DAS-B66	Shaft Bushing (Up).....		1
B67.....	1832DAS-B67	Swiveling		1
B68.....	TS-1505021E	Hex. Socket Cap Screw	M10x20L.....	4

MBS-1832DAS Stand Assembly Partslist

Index No.	Part No.	Description	Size	Q'ty
B69	1832DAS-B69	Assisant Block		2
B71	1832DAS-B71	Flat Head Screw	M12x35L	6
B72	TS-2245122E	Button Head Socket Screw	M5x12L	2
B73	1832DAS-B73	Spring Washer	M5	2
B74	1832DAS-B74	Washer	M5	2
B75	1832DAS-B75	Gear Cover		1
B76	TS-1502061E	Hex. Socket Cap Screw	M5x25L	1
B77	1832DAS-B77	Gear Muff		1
B78	1832DAS-B78	Angle Gear		1
B79	TS-1506011E	Hex. Socket Cap Screw	M12x20L	4
B80	1832DAS-B80	Servo Motor Locking Plate		1
B81	1832DAS-B81	Spring Pin	10x30L	2
B82	1832DAS-B82	Servo Motor		1
B83	TS-1502051E	Hex. Socket Cap Screw	M5x20L	4
B83-1	1832DAS-B83-1	Sensor		1
B83-2	1832DAS-B83-2	0° Switch Bracket		1
B83-3	1832DAS-B83-3	Washer	M6	2
B83-4	1832DAS-B83-4	Spring Washer	M6	2
B83-5	TS-1503031E	Hex. Socket Cap Screw	M6x12L	2
B84	1832DAS-B84	Machine Base Cover A		1
B85	1832DAS-B85	Button Head Socket Screw	M5x8L	4
B86	1832DAS-B86	Angle Brake isc		1
B87	1832DAS-B87	Servo Motor Cover		1
B88	1832DAS-B88	Washer	M5	2
B89	1832DAS-B89	Spring Washer	M5	2
B90	TS-2245122E	Button Head Socket Screw	M5x12L	2
B91	1832DAS-B91	Washer	M5	2
B92	1832DAS-B92	Spring Washer	M5	2
B93	TS-2245122E	Button Head Socket Screw	M5x12L	2

MBS-1832DAS Base Assembly



SECTION C

MBS-1832DAS Base Assembly Partslist

Index No.	Part No.	Description	Size	Q'ty
C1	1832DAS-C1	Outlet Roller	265	1
C2	1832DAS-C2	Outlet Stand		1
C3	1832DAS-C3	T Nut	M10	2
C4	1832DAS-C4	Roller Locking Plate		1
C5	TS-1503041E	Hex. Socket Cap Screw	M6x16L	6
C6	1832DAS-C6	Outlet Roller	395	1
C7	1832DAS-C7	Outlet Roller	445	1
C8	1832DAS-C8	Roller Bracket		1
C9	1832DAS-C9	Handle	TRT65 M10x30	2
C10	1832DAS-C10	Roller Location Bracket		1
C11	1832DAS-C11	Washer	M6	2
C12	1832DAS-C12	Spring Washer	M6	2
C13	TS-1503041E	Hex. Socket Cap Screw	M6x16L	2
C14	1832DAS-C14	Roller Shaft	445	1
C15	1832DAS-C15	C Ring	S20	2
C16	1832DAS-C16	C Ring	S20	2
C17	1832DAS-C17	Roller Shaft	395	1
C18	TS-1503041E	Hex. Socket Cap Screw	M6x16L	2
C19	1832DAS-C19	Spring Washer	M6	2
C20	1832DAS-C20	Roller Location Switch Bracket		1
C21	1832DAS-C21	Limit Switch		1
C22	TS-1503071E	Hex. Socket Cap Screw	M6x30L	2
C23	TS-1505031E	Hex. Socket Cap Screw	M10x25L	2
C24	1832DAS-C24	Spring Washer	M10	2
C25	1832DAS-C25	Washer	M10	2
C26	1832DAS-C26	Washer	M12	4
C27	1832DAS-C27	Spring Washer	M12	4
C28	TS-1492011E	Hex. Cap Bolt	M12x25L	4
C29	1832DAS-C29	Roller Shaft		1
C30	1832DAS-C30	C Ring	S20	2
C35	1832DAS-C35	Hose Seat		1
C36	1832DAS-C36	Swing Screw	M6x30L	2
C37	1832DAS-C37	Hose	1/4"x30"	1
C38	TS-2246082E	Button Head Socket Screw	M6x8L	2
C39	1832DAS-C39	Chip Cover		1
C40	1832DAS-C40	Central Base		1
C41	1832DAS-C41	Central Base Screw		1
C42	1832DAS-C42	Turnbuckle		1
C43	BB-51104E	Bearing	51104	1
C44	1832DAS-C44	Central Base Back Cover		1
C45	TS-1504041E	Hex. Socket Cap Screw	M8x20L	4
C46	1832DAS-C46	Bearing	6204	1
C47	1832DAS-C47	C Ring	R47	1
C48	1832DAS-C48	C Ring	S20	1
C49	1832DAS-C49	Fixed Bracket (Short)		1
C50	1832DAS-C50	Fixed Bracket (Short)		1
C51	TS-1504031E	Hex. Socket Cap Screw	M8x16L	2
C52	TS-1504031E	Hex. Socket Cap Screw	M8x16L	2
C53	1832DAS-C53	Switch Plate		1
C54	1832DAS-C54	Limit Switch		1
C55	TS-1503071E	Hex. Socket Cap Screw	M6x30L	2
C56	TS-2246122E	Button Head Socket Screw	M6x12L	2
C57	1832DAS-C57	Linear Guide		2
C58	TS-1504041E	Hex. Socket Cap Screw	M8x20L	16
C59	TS-2246122E	Button Head Socket Screw	M6x12L	2
C60	1832DAS-C60	Switch Plate		1
C61	1832DAS-C61	Limit Switch		1
C62	TS-1503071E	Hex. Socket Cap Screw	M6x30L	2
C63	1832DAS-C63	Turnbuckle		1
C63-1	1832DAS-C63-1	Left Side Plate Block		1

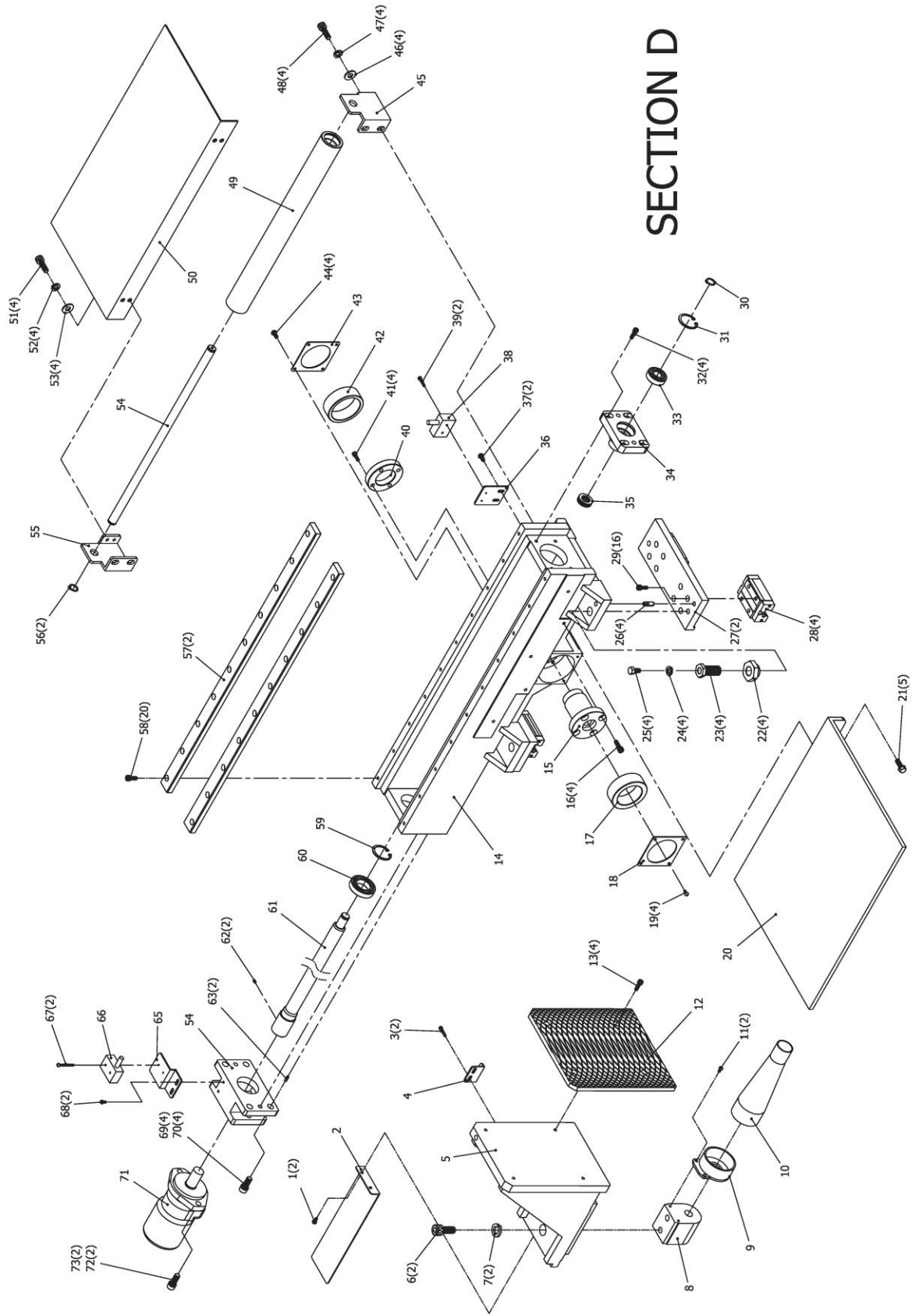
MBS-1832DAS Base Assembly Partslist

Index No.	Part No.	Description	Size	Q'ty
C63-2	TS-1505061E	Hex. Socket Cap Screw	M10x40L	4
C63-3	1832DAS-C63-3	Handle	M12x45L	1
C63-4	1832DAS-C63-4	Bakelite Ball (Round)	2"x1/2"X12W	1
C63-5	1832DAS-C63-5	Left Side Plate Adjustable Bearing		1
C63-6	1832DAS-C63-6	Handle	M10x30L	1
C63-7	1832DAS-C63-7	Left Side Plate Socket		1
C63-8	TS-1524031E	Set Screw	M8x12L	2
C63-9	1832DAS-C63-9	Left Side Plate		1
C64	1832DAS-C64	Bushing		1
C65	1832DAS-C65	Spring Pin	10x30L	2
C66	1832DAS-C66	C Ring	R62	1
C67	1832DAS-C67	Bearing	6007	1
C68	1832DAS-C68	Reducer Motor Bracket		1
C69	1832DAS-C69	Reducer Motor Shaft		1
C70	1832DAS-C70	Spring Washer	M14	4
C71	1832DAS-C71	Hex. Socket Cap Screw	M14x35L	4
C72	1832DAS-C72	Reducer Motor		1
C73	TS-1503141E	Hex. Socket Cap Screw	M6x70L	4
C74	1832DAS-C74	Reducer Motor Cover		1
C75	TS-2246082E	Button Head Socket Screw	M6x8L	4
C75-1	1832DAS-C75-1	Motor Switch Box		1
C75-2	TS-2246082E	Button Head Socket Screw	M6x8L	4
C75-3	1832DAS-C75-3	Motor Switch Box Cover		1
C75-4	1832DAS-C75-4	Button Head Socket Screw	M5x8L	4
C76	TS-1506131E	Hex. Socket Cap Screw	M12x80L	2
C77	TS-223A911E	Hex. Socket Cap Screw	M12x100L	2
C78	1832DAS-C78	Cutting Plate		1
C79	1832DAS-C79	Spring Pin	10x30L	2
C80	TS-1506131E	Hex. Socket Cap Screw	M12x80L	4
C81	TS-1505061E	Hex. Socket Cap Screw	M12x40L	2
C82	1832DAS-C82	Cutting Base		1
C83	1832DAS-C83	Spring Pin	10x30L	2
C84	1832DAS-C84	Rear Vise Plate (R)		1
C85	1832DAS-C85	Rear Vise Plate (L)		1
C86	1832DAS-C86	Hex. Socket Cap Screw	M14x35L	16
C87	1832DAS-C87	Hex. Socket Cap Screw	3/8"x1"L	1
C88	1832DAS-C88	Spring Washer	3/8"	1
C89	1832DAS-C89	Washer	3/8"	1
C90	1832DAS-C90	Set Screw	5/16"x5/16"L	1
C91	1832DAS-C91	Material Stop Bar Block (R)		1
C92	1832DAS-C92	Hex. Socket Cap Screw	3/8"x1"L	1
C93	1832DAS-C93	Spring Washer	3/8"	1
C94	1832DAS-C94	Washer	3/8"	1
C95	1832DAS-C95	Upper Shaft Fixture		1
C96	1832DAS-C96	Fixture Shaft		1
C97	1832DAS-C97	Adjusting Block		1
C98	1832DAS-C98	Washer	3/8"	1
C99	1832DAS-C99	Spring Washer	3/8"	1
C100	1832DAS-C100	Hex. Socket Cap Screw	3/8"x1"L	1
C101	1832DAS-C101	Material Stop Bar		1
C102	1832DAS-C102	Material Stop Bar Block (L)		1
C103	1832DAS-C103	Washer	3/8"	1
C104	1832DAS-C104	Spring Washer	3/8"	1
C105	1832DAS-C105	Hex. Socket Cap Screw	3/8"x1"L	1
C106	1832DAS-C106	Set Screw	5/16"x5/16"L	1
C107	TS-1491031E	Hex. Cap Bolt	M10x25L	3
C108	1832DAS-C108	Spring Washer	M10x25L	3
C109	1832DAS-C109	Flat Head Screw	5/16"x3/4"L	4
C110	1832DAS-C110	Material Stop Bar Bracket		1

MBS-1832DAS Base Assembly Partslist

Index No.	Part No.	Description	Size	Q'ty
C111.....	1832DAS-C111	Handle.....	3/8"x30L	1
C112.....	1832DAS-C112	Upper Shaft	1
C113.....	1832DAS-C113	Spring Washer	3/8".....	1
C114.....	1832DAS-C114	Hex. Socket Cap Screw.....	3/8"x1"L.....	1

MBS-1832DAS Clamping System Assembly



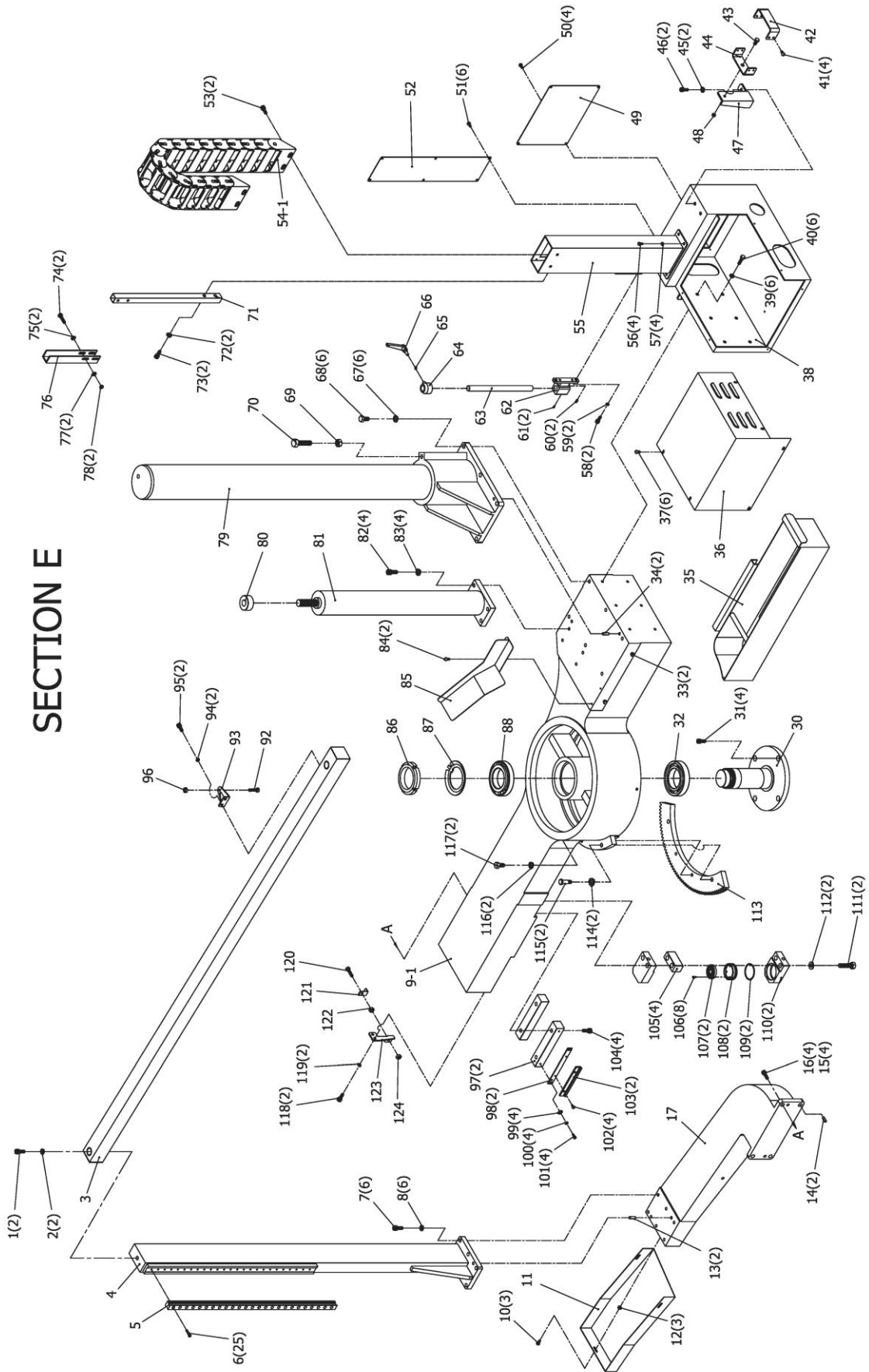
MBS-1832DAS Clamping System Assembly Partslist

Index No.	Part No.	Description	Size	Q'ty
D1	1832DAS-D1	Vise Chip Cover		1
D2	TS-2246082E	Button Head Socket Screw	M6x8L	2
D3	TS-1503031E	Hex. Socket Cap Screw	M6x12L	2
D4	1832DAS-D4	Limit Bracket		1
D5	1832DAS-D5	Vise		1
D6	1832DAS-D6	Hex. Socket Cap Screw	M16x40L	2
D7	1832DAS-D7	Spring Washer	M16	2
D8	1832DAS-D8	Vise Position Bracket		1
D9	1832DAS-D9	Fixed Bracket A		1
D10	1832DAS-D10	Threaded sleeve		1
D11	TS-2246122E	Button Head Socket Screw	M6x12L	2
D12	1832DAS-D12	Attached Plate		1
D13	TS-1504031E	Hex. Socket Cap Screw	M8x16L	4
D14	1832DAS-D14	Vise Table		1
D15	1832DAS-D15	Thread Turnbuckle		1
D16	TS-1504031E	Hex. Socket Cap Screw	M8x16L	4
D17	1832DAS-D17	Fixed Bracket		1
D18	1832DAS-D18	Plate		1
D19	1832DAS-D19	Button Head Socket Screw	M5x8L	4
D20	1832DAS-D20	Upper Cover		1
D21	TS-1504041E	Hex. Socket Cap Screw	M8x20L	5
D22	1832DAS-D22	Nut	M12	4
D23	1832DAS-D23	Adjusting Screw		4
D24	1832DAS-D24	Spring Washer	M12	4
D25	1832DAS-D25	Hex. Cap Steel Screw	M12x75L	4
D26	1832DAS-D26	Spring Pin	10x30L	2
D27	1832DAS-D27	Locking Plate		2
D28	1832DAS-D28	Linear Guide	MSA30S	4
D29	TS-1504051E	Hex. Socket Cap Screw	M8x25L	16
D30	1832DAS-D30	C Ring	S20	1
D31	1832DAS-D31	C Ring	R47	1
D32	TS-1504041E	Hex. Socket Cap Screw	M8x20L	4
D33	1832DAS-D33	Ball Bearing	6204	1
D34	1832DAS-D34	Screw Cover		1
D35	BB-51104E	Bearing	51104	1
D36	1832DAS-D36	Limit Bracket		1
D37	TS-2246122E	Button Head Socket Screw	M6x12L	2
D38	1832DAS-D38	Limit Switch		1
D39	TS-1501081E	Hex. Socket Cap Screw	M4x30L	2
D40	1832DAS-D40	Fixed Plate		1
D41	TS-1504031E	Hex. Socket Cap Screw	M8x16L	4
D42	1832DAS-D42	Fixed Bracket		1
D43	1832DAS-D43	Plate		1
D44	1832DAS-D44	Button Head Socket Screw	M5x8L	4
D45	1832DAS-D45	Roller Stand (R)		1
D46	1832DAS-D46	Washer	M12	4
D47	1832DAS-D47	Spring Washer	M12	4
D48	1832DAS-D48	Hex. Cap Bolt	M12x20L	4
D49	1832DAS-D49	Roller		1
D50	1832DAS-D50	Left Cover		1
D51	TS-1504031E	Hex. Socket Cap Screw	M8x16L	4
D52	1832DAS-D52	Spring Washer	M8	4
D53	1832DAS-D53	Washer	M8	4
D54	1832DAS-D54	Roller Shaft		1
D55	1832DAS-D55	Roller Stand (L)		1
D56	1832DAS-D56	C Ring	S20	2
D57	1832DAS-D57	Steel Plate		2
D58	TS-1504041E	Hex. Socket Cap Screw	M8x20L	20
D59	1832DAS-D59	C Ring	R62	1
D60	1832DAS-D60	Ball Bearing	6007	1

MBS-1832DAS Clamping System Assembly Partslist

Index No.	Part No.	Description	Size	Q'ty
D61.....	1832DAS-D61	Vise Main Screw		1
D62.....	TS-2276081E	Set Screw	M6x8L	1
D63.....	1832DAS-D63	Spring Pin	10x25L	2
D64.....	1832DAS-D64	Motor Bracket		1
D65.....	1832DAS-D65	Limit Bracket.....		1
D66.....	1832DAS-D66	Limit Switch		1
D67.....	TS-1501081E	Hex. Socket Cap Screw	M4x30L.....	2
D68.....	1832DAS-D68	Button Head Socket Screw	M6x12L.....	2
D69.....	1832DAS-D69	Hex. Socket Cap Screw	M14x35L.....	4
D70.....	1832DAS-D70	Spring Washer	M14	4
D71.....	1832DAS-D71	Hydraulic Motor.....		1
D72.....	TS-1506041E	Hex. Socket Cap Screw	M12x35L.....	2
D73.....	1832DAS-D73	Spring Washer.....	M12	2

MBS-1832DAS Rotary Mechanism Assembly



MBS-1832DAS Rotary Mechanism Assembly Partslist

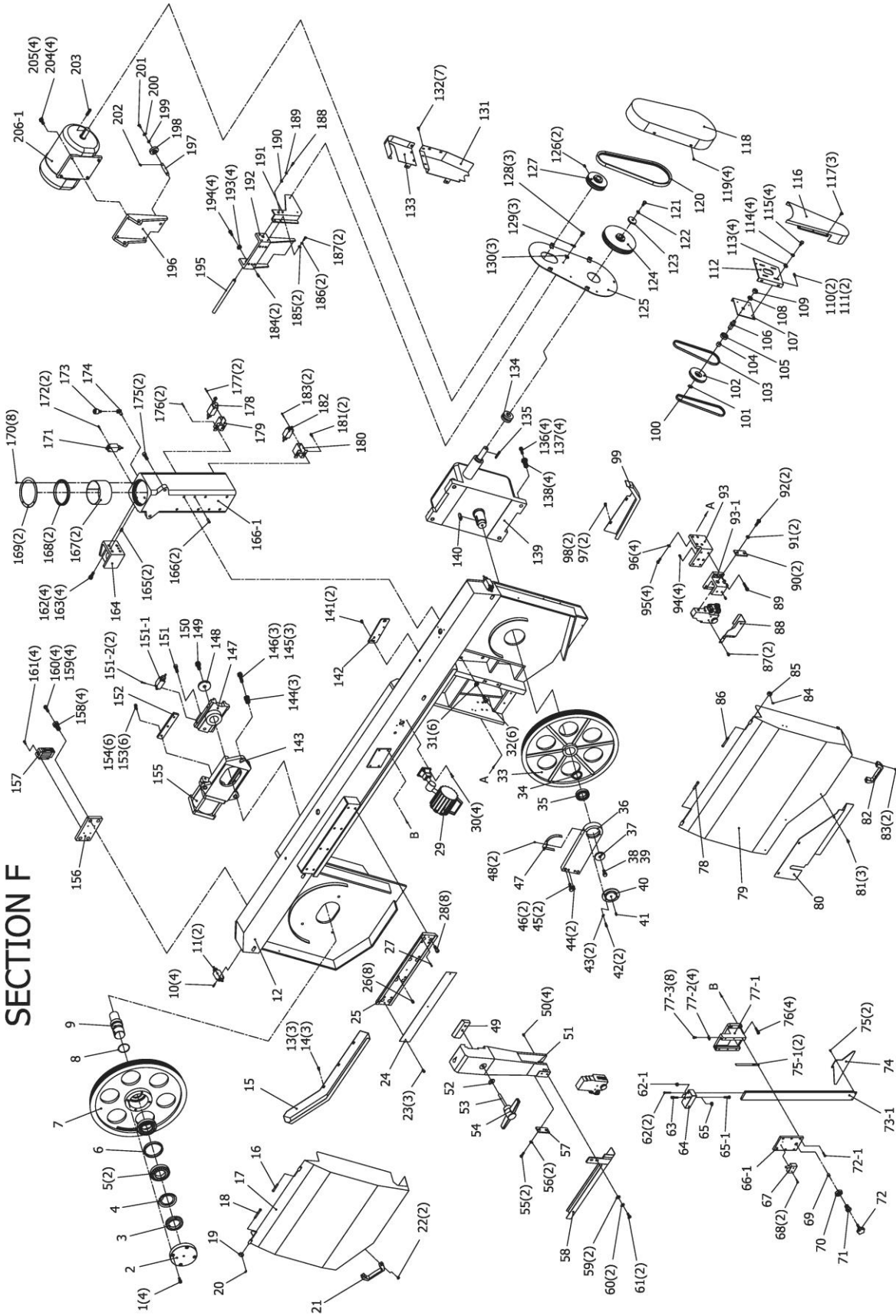
Index No.	Part No.	Description	Size	Qty
E1	1832DAS-E1	Hex. Socket Cap Screw	M16x50L	2
E2	1832DAS-E2	Spring Washer	M16	2
E3	1832DAS-E3	Connecting Bar		1
E4	1832DAS-E4	Linear Guide Support		1
E5	1832DAS-E5	Linear Guide		1
E6	TS-1503061E	Hex. Socket Cap Screw	M6x25L	25
E7	TS-1506051E	Hex. Socket Cap Screw	M12x40L	6
E8	1832DAS-E8	Spring Washer	M12	6
E9-1	1832DAS-E9-1	Swiveling Base		1
E10	TS-1503081E	Hex. Socket Cap Screw	M6x35L	3
E11	1832DAS-E11	Coolant Box		1
E12	1832DAS-E12	Nut	M6	3
E13	1832DAS-E13	Spring Pin	10x30L	2
E14	1832DAS-E14	Spring Pin	10x30L	2
E15	1832DAS-E15	Spring Washer	M14	4
E16	1832DAS-E16	Hex. Cap Steel Screw	M14x40L	4
E17	1832DAS-E17	Linear Guide Support		1
E30	1832DAS-E30	Swiveling shaft		1
E31	TS-1506031	Hex. Socket Cap Screw	M12x30L	4
E32	1832DAS-E32	Bearing	6215	1
E33	1832DAS-E33	Screw		1
E34	1832DAS-E34	Spring Pin	10x30L	1
E35	1832DAS-E35	Chip Box		1
E36	1832DAS-E36	Electro valve Box Cover		1
E37	1832DAS-E37	Button Head Socket Screw	M5x8L	6
E38	1832DAS-E38	Electro valve Box		1
E39	1832DAS-E39	Spring Washer		6
E40	TS-2210161E	Hex. Cap Bolt	M10x16L	6
E41	TS-2246082E	Button Head Socket Screw	M6x8L	4
E42	1832DAS-E42	Cable Cover 2		1
E43	1832DAS-E43	Hex. Cap Steel Screw		1
E44	1832DAS-E44	Cable Cover 1		1
E45	1832DAS-E45	Spring Washer	M10	2
E46	TS-1505011E	Hex. Socket Cap Screw	M10x16L	4
E47	1832DAS-E47	Wire Fixed Bracket		1
E48	1832DAS-E48	Nut	M10	1
E49	1832DAS-E49	Electro valve Box Cover		1
E50	TS-2246082E	Button Head Socket Screw	M6x8L	4
E51	1832DAS-E51	Button Head Socket Screw	M5x8L	6
E52	1832DAS-E52	Cable Fixing Cover		1
E53	TS-2248162E	Button Head Socket Screw	M8x16L	2
E54-1	1832DAS-E54-1	Cable Carrier	100x1625L	1
E55	1832DAS-E55	Cable Fixing Bracket		1
E56	TS-2248162E	Button Head Socket Screw	M8x16L	4
E57	1832DAS-E57	Spring Washer	M8	4
E58	TS-1504041E	Hex. Socket Cap Screw	M8x20L	2
E59	1832DAS-E59	Spring Washer	M8	2
E60	TS-1524031E	Set Screw	M8x12L	2
E61	TS-2276081E	Set Screw	M6x8L	2
E62	1832DAS-E62	Down Limit Bracket		1
E63	1832DAS-E63	Down Limit Rod		1
E64	1832DAS-E64	Down Limit Adjusting Collar		1
E65	1832DAS-E65	Down Limit Copper		1
E66	1832DAS-E66	Handle	M8x30L	1
E67	1832DAS-E67	Spring Washer	M14	6
E68	1832DAS-E68	Hex. Cap Steel Screw	M14x50L	6
E69	1832DAS-E69	Nut	M16	1
E70	1832DAS-E70	Hex. Cap Steel Screw	M16x90L	1
E71	1832DAS-E71	Safety Contactor		1
E72	1832DAS-E72	Spring Washer	M10	2

MBS-1832DAS Rotary Mechanism Assembly Partslist

Index No.	Part No.	Description	Size	Qty
E73	TS-1505031E	Hex. Socket Cap Screw	M10x25L	2
E74	TS-1490091E	Hex. Cap Bolt	M8x50L	2
E75	1832DAS-E75	Washer	M8	2
E76	1832DAS-E76	Safety Contactor Bracket		1
E77	1832DAS-E77	Washer	M8	2
E78	1832DAS-E78	Nut	M8	2
E79	1832DAS-E79	Big Column		1
E80	1832DAS-E80	Adjusting Collar		1
E81	1832DAS-E81	Arm Cylinder		1
E82	TS-1506051E	Hex. Socket Cap Screw	M12x40L	4
E83	1832DAS-E83	Spring Washer	M12	4
E84	TS-2246082E	Button Head Socket Screw	M6x8L	2
E85	1832DAS-E85	Chip Guide		1
E86	1832DAS-E86	Bearing Nut	AN15	1
E87	1832DAS-E87	Tooth Washer	AW15	1
E88	1832DAS-E88	Bearing	30215	1
E92	TS-1491041E	Hex. Cap Bolt	M10x30L	1
E93	1832DAS-E93	Up Limit Contactor		1
E94	1832DAS-E94	Spring Washer	M8	2
E95	TS-2228161E	Hex. Cap Bolt	M8x16L	2
E96	1832DAS-E96	Nut	M10	1
E97	1832DAS-E97	Brake Block		2
E98	1832DAS-E98	Scraper Plate		2
E99	1832DAS-E99	Washer	M6	4
E100	1832DAS-E100	Spring Washer	M6	4
E101	TS-1503041E	Hex. Socket Cap Screw	M6x16L	4
E102	TS-2245122E	Button Head Socket Screw	M5x12L	4
E103	1832DAS-E103	Scraper		2
E104	TS-1506041E	Hex. Socket Cap Screw	M12x35L	4
E105	1832DAS-E105	Brake Space Block		4
E106	1832DAS-E106	Hex. Socket Cap Screw	M4x8L	8
E107	1832DAS-E107	Brake Lining		2
E108	1832DAS-E108	Brake Plug		2
E109	1832DAS-E109	O Ring	G55	2
E110	1832DAS-E110	Brake Block		2
E111	1832DAS-E111	Hex. Cap Steel Screw	M16x110L	2
E112	1832DAS-E112	Spring Washer	M16x110L	2
E113	1832DAS-E113	Angle Chainwheel		1
E114	1832DAS-E114	Spring Washer	M14	2
E115	1832DAS-E115	Chainwheel Locating Screw		2
E116	1832DAS-E116	Spring Washer	M12	2
E117	1832DAS-E117	Hex. Cap Steel Screw	M12x40L	2
E118	TS-1504031	Hex. Socket Cap Screw	M8x16L	2
E119	1832DAS-E119	Spring Washer	M8	2
E120	TS-1491061E	Hex. Cap Bolt	M10x40L	1
E121	1832DAS-E121	0° Contact Bracket		1
E122	1832DAS-E122	Nut	M10	1
E123	1832DAS-E123	0° Adjustable Bracket		1
E124	1832DAS-E124	Nut	M10	1

MBS-1832DAS Bow Assembly

SECTION F



MBS-1832DAS Bow Assembly Partslist

Index No.	Part No.	Description	Size	Q'ty
F1	TS-1506041E	Hex. Socket Cap Screw	M12x35L	4
F2	1832DAS-F2	Shaft Cover		1
F3	1832DAS-F3	Bearing Nut	AN12	1
F4	1832DAS-F4	Tooth Washer	AW12	1
F5	1832DAS-F5	Taper Bearing	BB2110	2
F6	1832DAS-F6	Spacer		1
F7	1832DAS-F7	Idle Wheel		1
F8	1832DAS-F8	Oil Ring		1
F9	1832DAS-F9	Idle Wheel		1
F10	TS-1501091E	Hex. Socket Cap Screw	M4x35L	4
F11	1832DAS-F11	Limit Switch		2
F12	1832DAS-F12	Saw Bow		1
F13	1832DAS-F13	Hex. Cap Bolt	M6x8L	3
F14	1832DAS-F14	Washer	M6	3
F15	1832DAS-F15	Coolant Collecting Bracket		1
F16	1832DAS-F16	Cover Pin		1
F17	1832DAS-F17	Saw Bow Cover		1
F18	1832DAS-F18	Cover Pin (CE)		1
F19	1832DAS-F19	Saw Bow Limit Switch (CE)		1
F20	TS-2276081E	Set Screw	M6x8L	1
F21	1832DAS-F21	Handle		2
F22	1832DAS-F22	Big Round Head Screw	M6x12L	4
F23	1832DAS-F23	Round Head Screw	M6x8L	3
F24	1832DAS-F24	Guide Scale		1
F25	1832DAS-F25	Support Plate		1
F26	1832DAS-F26	Set Screw	M12x15L	8
F27	TS-1503011E	Hex. Socket Cap Screw	M6x8L	1
F28	TS-1506031E	Hex. Socket Cap Screw	M12x30L	8
F29	1832DAS-F29	Halogen		1
F30	1832DAS-F30	Round Head Screw	M6x20L	4
F31	1832DAS-F31	Spring Washer	M14	6
F32	1832DAS-F32	Hex. Cap Steel Screw	M14x40L	6
F33	1832DAS-F33	Driver Wheel		1
F34	1832DAS-F34	Washer		1
F35	1832DAS-F35	Bearing	BB2134	1
F36	1832DAS-F36	Right Wheel Support		1
F37	1832DAS-F37	Washer (2)		1
F38	1832DAS-F38	Spring Washer	M12	1
F39	1832DAS-F39	Hex. Cap Steel Screw	M12x35L	1
F40	1832DAS-F40	Bearing Cover		1
F41	1832DAS-F41	Oil Nipple	1/8"PT	1
F42	TS-1502031E	Hex. Socket Cap Screw	M5x12L	2
F43	1832DAS-F43	Spring Washer	M5	2
F44	TS-1525041E	Set Screw	M12x20L	2
F45	1832DAS-F45	Spring Washer	M12	2
F46	1832DAS-F46	Hex. Cap Steel Screw	M12x60L	2
F47	1832DAS-F47	Bearing Cover		1
F48	1832DAS-F48	Round Head Screw	M6x8L	2
F49	1832DAS-F49	Bearing Bracket Plate		1
F50	1832DAS-F50	Set Screw	M10x15L	4
F51	1832DAS-F51	Blade Guide Arm		1
F52	1832DAS-F52	Washer	M12	1
F53	1832DAS-F53	Blade Guide Shaft		1
F54	1832DAS-F54	Handle		1
F55	1832DAS-F55	Hex. Cap Steel Screw	M12x35L	2
F56	1832DAS-F56	Spring Washer	M12	2
F57	1832DAS-F57	Spacer		1
F58	1832DAS-F58	Blade Guard (Front)		1
F59	1832DAS-F59	Washer	M8	2
F60	1832DAS-F60	Spring Washer	M8	2

MBS-1832DAS Bow Assembly Partslist

Index No.	Part No.	Description	Size	Q'ty
F61	TS-1504051E	Hex. Socket Cap Screw	M8x25L	2
F62	TS-1502061E	Hex. Socket Cap Screw	M5x25L	2
F62-1	1832DAS-F62-1	Nut	M8	1
F63	1832DAS-F63	Hex. Cap Bolt	M8x90L	1
F64	1832DAS-F64	Weight block		1
F65-1	TS-1490051E	Hex. Cap Bolt	M8x30L	1
F66-1	1832DAS-F66-1	Cover		1
F67	1832DAS-F67	Limit Switch		1
F68	TS-1501081E	Hex. Socket Cap Screw	M4x30L	2
F69	1832DAS-F69	Copper Spacer		1
F70	1832DAS-F70	Location Nut		1
F71	1832DAS-F71	Location Screw		1
F72	1832DAS-F72	Thumb Screw		1
F72-1	TS-1503041	Hex. Socket Cap Screw	M6x16L	6
F73-1	1832DAS-F73-1	Probe Plate Seat		1
F74	1832DAS-F74	Sensor Probe Plate		1
F75	1832DAS-F75	Flat Head Screw	M5x6L	2
F75-1	1832DAS-F75-1	Plate	12x160x2T	1
F76	TS-1504051E	Hex. Socket Cap Screw	M8x25L	4
F77-1	1832DAS-F77-1	Probe Plate Bracket		1
F77-2	1832DAS-F77-2	Plate		4
F77-3	1832DAS-F77-3	Round Head Screw	M4x8L	8
F78	1832DAS-F78	Cover Pin		1
F79	1832DAS-F79	Blade Guard (Rear)		1
F80	1832DAS-F80	Brush Shaft Cover		1
F81	TS-2246082E	Button Head Socket Screw	M6x8L	3
F82	1832DAS-F82	Handle		2
F83	1832DAS-F83	Big Round Head Screw	M6x12L	4
F84	TS-2276081E	Set Screw	M6x8L	1
F85	1832DAS-F85	Saw Bow Limit Switch (CE)		1
F86	1832DAS-F86	Cover Pin (CE)		1
F87	TS-1502061E	Hex. Socket Cap Screw	M5x25L	2
F88	1832DAS-F88	Blade Cover		1
F89	TS-1505031E	Hex. Socket Cap Screw	M10x25L	4
F90	1832DAS-F90	Bearing Seat Spacer		1
F91	1832DAS-F91	Spring Washer	M12	2
F92	1832DAS-F92	Hex. Cap Steel Screw	M12x35L	2
F93	1832DAS-F93	Bearing Bracket		1
F93-1	1832DAS-F93-1	Blade Guide Arm		1
F94	1832DAS-F94	Set Screw	M10x15L	4
F95	1832DAS-F95	Hex. Cap Steel Screw	M10x35L	4
F96	1832DAS-F96	Spring Washer	M10	4
F97	1832DAS-F97	Washer	M6	3
F98	1832DAS-F98	Hex. Cap Bolt	M6x8L	3
F99	1832DAS-F99	Coolant Collecting Tray		1
F100	1832DAS-F100	Belt		1
F101	1832DAS-F101	C Ring	S20	1
F102	1832DAS-F102	Reducer Pulley		1
F103	1832DAS-F103	Belt		1
F104	1832DAS-F104	Ball Bearing	BB2053	1
F105	1832DAS-F105	Bearing	BB2141	1
F106	1832DAS-F106	Pulley Shaft		1
F107	1832DAS-F107	Pulley Plate		1
F108	1832DAS-F108	Spring Washer	M16	1
F109	1832DAS-F109	Nut	M16	1
F110	TS-1503031E	Hex. Socket Cap Screw	M6x12L	2
F111	1832DAS-F111	Spring Washer	M6	2
F112	1832DAS-F112	Pulley Adjusting Plate		4
F113	1832DAS-F113	Washer	M6	4

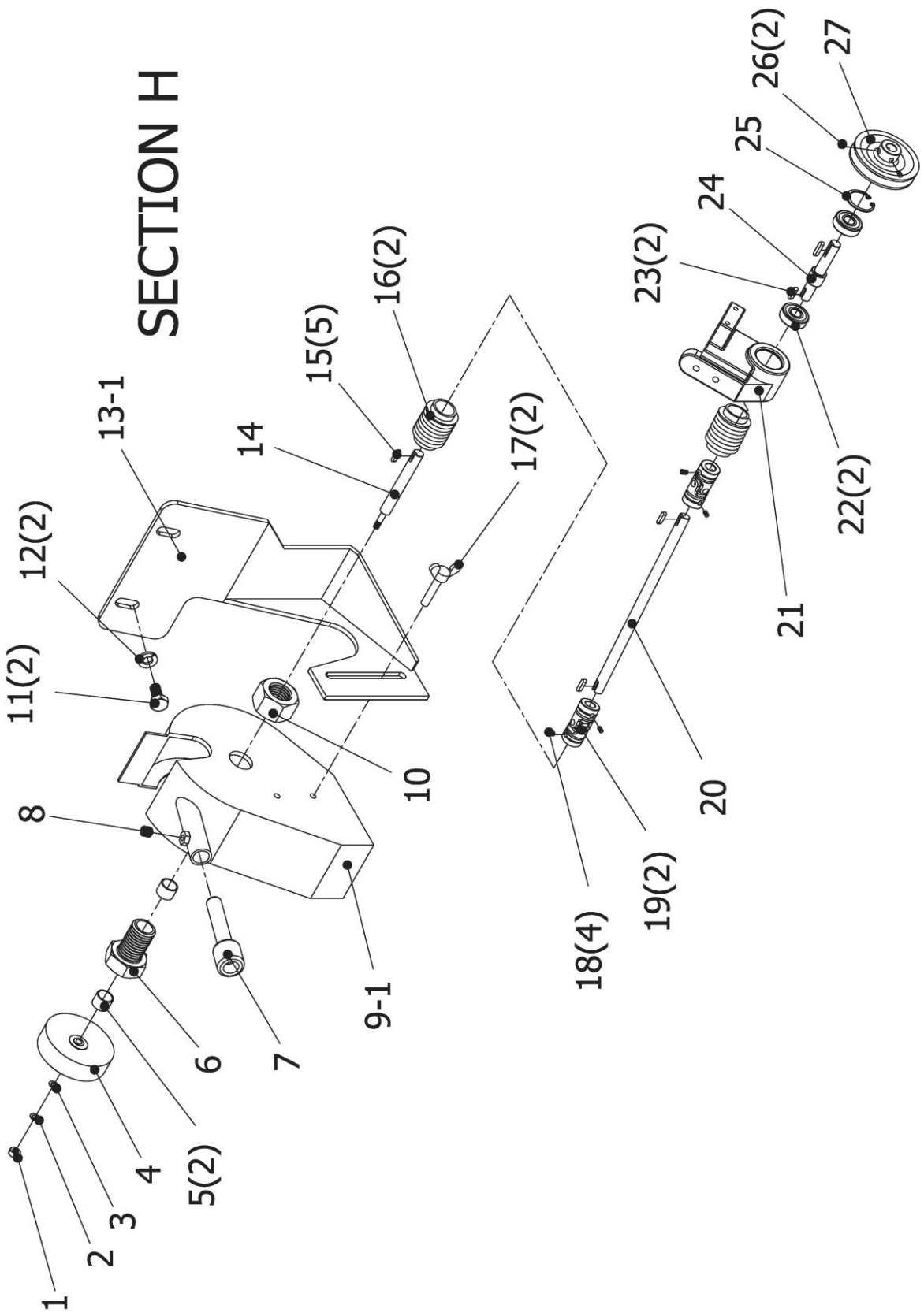
MBS-1832DAS Bow Assembly Partslist

Index No.	Part No.	Description	Size	Q'ty
F114	1832DAS-F114	Spring Washer	M6	4
F115	TS-1482021E	Hex. Cap Bolt	M6x12L	4
F116	1832DAS-F116	Pulley Cover		1
F117	TS-2246082E	Button Head Socket Screw	M6x8L	3
F118	1832DAS-F118	Motor Cover		1
F119	TS-2246082E	Button Head Socket Screw	M6x8L	4
F120	1832DAS-F120	Belt		1
F121	1832DAS-F121	Hex. Cap Steel Screw	M10x25L	1
F122	1832DAS-F122	Spring Washer	M10	1
F123	1832DAS-F123	Washer		1
F124	1832DAS-F124	Worm Shaft Pulley		1
F125	1832DAS-F125	Motor Setting Plate		1
F126	TS-1524021E	Set Screw	M8x10L	2
F127	1832DAS-F127	Motor Pulley		1
F128	1832DAS-F128	Hex. Cap Bolt	M6x8L	4
F129	1832DAS-F129	Spring Washer	M6	4
F130	1832DAS-F130	Washer	M6	4
F131	1832DAS-F131	Brush Cover		1
F132	TS-2246082E	Button Head Socket Screw	M6x8L	7
F133	1832DAS-F133	Brush Drive Wheel Cover		1
F134	1832DAS-F134	Brush Drive Wheel		1
F135	1832DAS-F135	Key	8x7x60L	1
F136	1832DAS-F136	Hex. Cap Steel Screw	M14x50L	4
F137	1832DAS-F137	Spring Washer	M14	4
F138	1832DAS-F138	Worm Reducer Adjusting Turnbuckle		4
F139	1832DAS-F139	Worm Reducer	135#1/30	1
F140	1832DAS-F140	Key		1
F141	TS-2248162E	Button Head Socket Screw	M8x16L	2
F142	1832DAS-F142	Pipe Plate		1
F143	1832DAS-F143	Slider Seat		1
F144	1832DAS-F144	Adjusting Bushing		3
F145	1832DAS-F145	Spring Washer	M14	3
F146	1832DAS-F146	Hex. Cap Steel Screw	M14x55L	3
F147	1832DAS-F147	Slider		1
F148	1832DAS-F148	Spacer		1
F149	1832DAS-F149	Spring Washer	M14	3
F150	1832DAS-F150	Hex. Cap Steel Screw	M14x55L	3
F151	1832DAS-F151	Hex. Socket Cap Screw	M16x80L	1
F151-1	1832DAS-F151-1	Limit Switch		1
F151-2	TS-1501091E	Hex. Socket Cap Screw	M4x35L	2
F152	1832DAS-F152	Slider Guides		2
F153	TS-1504051E	Hex. Socket Cap Screw	M8x25L	6
F154	1832DAS-F154	Spring Washer	M8	6
F155	1832DAS-F155	Blade Hydraulic Cylinder		1
F156	1832DAS-F156	Slider Adjusting Plate		1
F157	1832DAS-F157	Slider Seat		1
F158	1832DAS-F158	Adjusting Bushing		4
F159	1832DAS-F159	Hex. Cap Steel Screw	M14x80L	4
F160	1832DAS-F160	Spring Washer	M14	4
F161	TS-1503061E	Hex. Socket Cap Screw	M6x25L	4
F162	TS-1506031E	Hex. Socket Cap Screw	M12x30L	4
F163	1832DAS-F163	Spring Washer	M12	4
F164	1832DAS-F164	Cylinder Support		1
F165	1832DAS-F165	Spring Pin	10x30L	2
F166	1832DAS-F166	Spring Pin	10x30L	2
F166-1	1832DAS-F166-1	Big Column Bushing		2
F167	1832DAS-F167	Self-lubricating Bearing	BB2034	2
F168	1832DAS-F168	Dust Seal	DKB130	2
F169	1832DAS-F169	Big Column Bushing Cover		2

MBS-1832DAS Bow Assembly Partslist

Index No.	Part No.	Description	Size	Q'ty
F170	1832DAS-F170	Round Head Screw	M6x8L	8
F171	1832DAS-F171	Limit Switch		1
F172	TS-1501091E	Hex. Socket Cap Screw	M4x35L	2
F173	1832DAS-F173	Oli Cup		1
F174	1832DAS-F174	Fitting 90 degree	1/8"	1
F175	1832DAS-F175	Hex. Socket Cap Screw	M14x40L	2
F176	TS-2246082E	Button Head Socket Screw	M6x8L	2
F177	TS-1501091E	Hex. Socket Cap Screw	M4x35L	2
F178	1832DAS-F178	Limit Switch		1
F179	1832DAS-F179	Safe Switch Bracket		1
F180	1832DAS-F180	Limit Switch Bracket		1
F181	TS-2246082E	Button Head Socket Screw	M6x8L	2
F182	1832DAS-F182	Limit Switch		1
F183	TS-1501091E	Hex. Socket Cap Screw	M4x35L	2
F184	1832DAS-F184	Spring Pin	8x20L	2
F185	1832DAS-F185	Washer	M6	2
F186	1832DAS-F186	Spring Washer	M6	2
F187	1832DAS-F187	Hex. Socket Cap Screw	M6x15L	2
F188	1832DAS-F188	Hex. Socket Cap Screw	M6x15L	1
F189	1832DAS-F189	Spring Washer	M6	1
F190	1832DAS-F190	Washer	M6	1
F191	1832DAS-F191	Motor Plate		1
F192	1832DAS-F192	Motor Adjusting Bracket		1
F193	1832DAS-F193	Spring Washer	M10	4
F194	TS-1505051E	Hex. Socket Cap Screw	M10x35L	4
F195	1832DAS-F195	Motor Bracket Shaft		1
F196	1832DAS-F196	Motor Bracket		1
F197	1832DAS-F197	Motor Adjusting Bolt		1
F198	1832DAS-F198	Motor Adjusting Bolt Handle		1
F199	1832DAS-F199	Washer	M6	1
F200	1832DAS-F200	Spring Washer	M6	1
F201	TS-1503031E	Hex. Socket Cap Screw	M6x12L	1
F202	1832DAS-F202	Key	4x4x10L	1
F203	1832DAS-F203	Key	8x7x60L	1
F204	1832DAS-F204	Spring Washer	M10	4
F205	TS-1491041E	Hex. Cap Bolt	M10x30L	4
F206-1	1832DAS-F206-1	Motor	5.6kW 400V 3Ph	1

MBS-1832DAS Brush Assembly

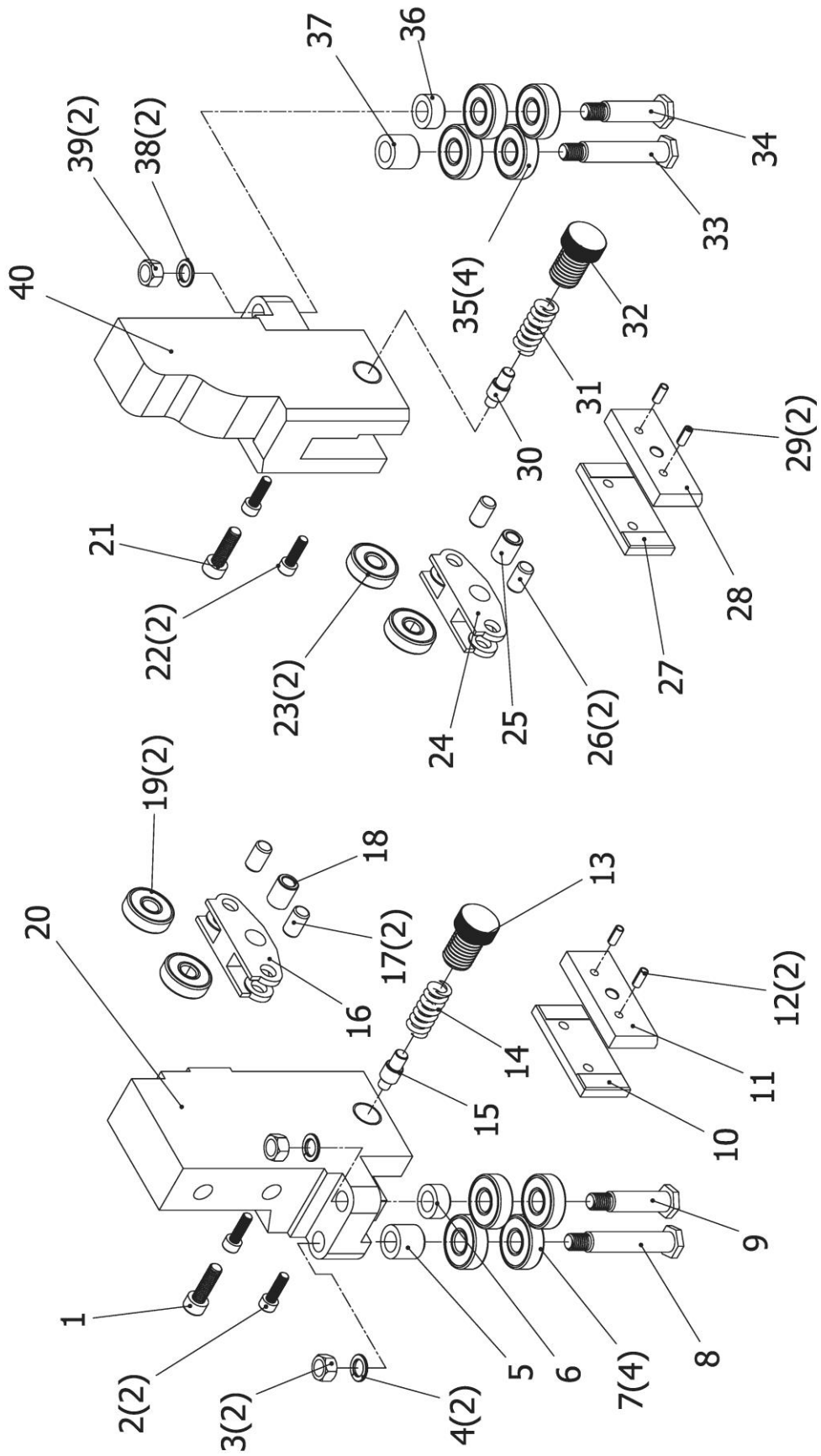


MBS-1832DAS Brush Assembly Partslist

Index No.	Part No.	Description	Size	Q'ty
H1	1832DAS-H1	Nut	M8	1
H2	1832DAS-H2	Spring Washer	M8	1
H3	1832DAS-H3	Washer	M8	1
H4	1832DAS-H4	Brush		1
H5	1832DAS-H5	Self-lubricating Bearing	BB2048	2
H6	1832DAS-H6	Brush Shaft Support		1
H7	1832DAS-H7	Cleaning Pipe		1
H8	TS-1524011E	Set Screw	M8x8L	1
H9-1	1832DAS-H9-1	Brush Cover		1
H10	1832DAS-H10	Nut	M20	1
H11	TS-2228161E	Hex. Cap Bolt	M8x16L	2
H12	1832DAS-H12	Spring Washer	M8	2
H13-1	1832DAS-H13-1	Brush Bracket		1
H14	1832DAS-H14	Brush Shaft		1
H15	1832DAS-H15	Key	4x15L	5
H16	1832DAS-H16	Anti-Dust Cover		2
H17	1832DAS-H17	Wing Screw	M6x16L	2
H18	TS-2276081E	Set Screw	M6x8L	4
H19	1832DAS-H19	Universal Joint		2
H20	1832DAS-H20	Brush Drive Shaft		1
H21	1832DAS-H21	Setting Seat		1
H22	1832DAS-H22	Ball Bearing	6201	2
H23	1832DAS-H23	Key	4x15L	2
H24	1832DAS-H24	Shaft		1
H25	1832DAS-H25	C Ring	R32	1
H26	TS-2276081E	Set Screw	M6x8L	2
H27	1832DAS-H27	Driver Wheel		1

MBS-1832DAS Bearing Guide Assembly

SECTION I

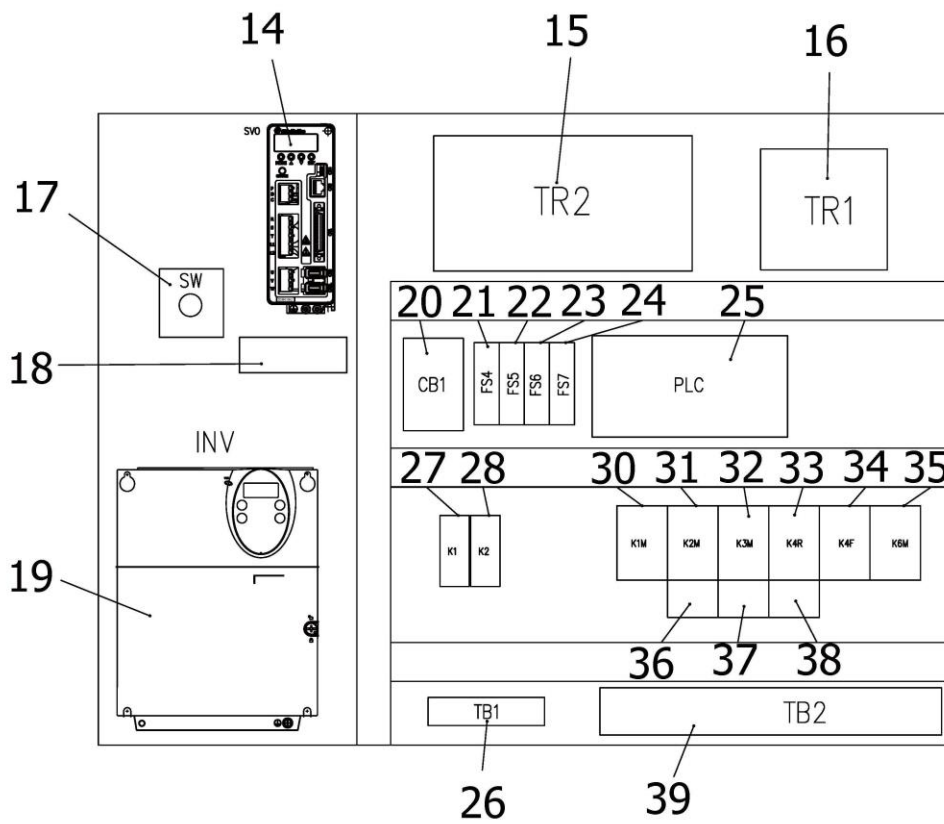
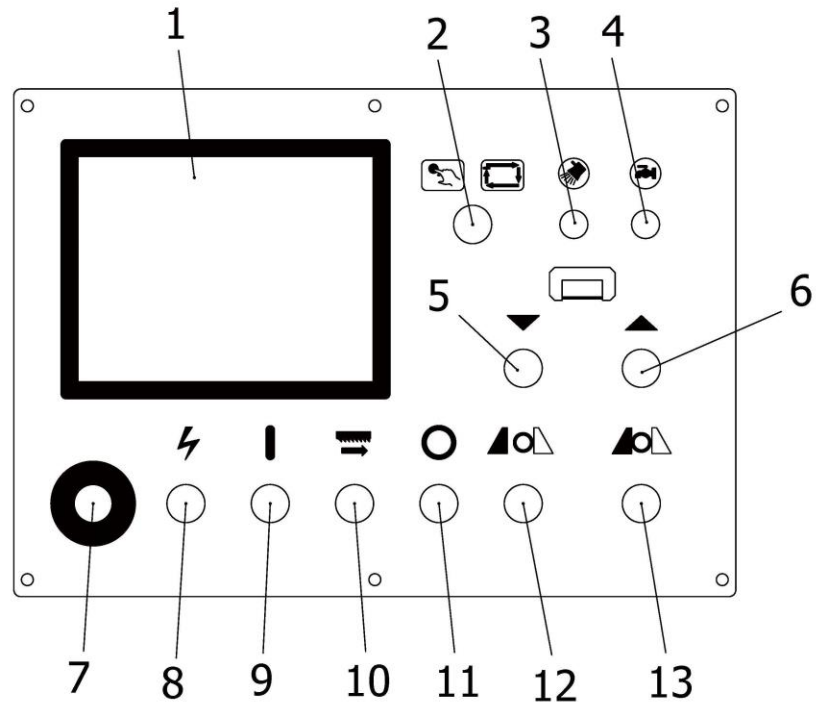


MBS-1832DAS Bearing Guide Assembly Partslist

Index No.	Part No.	Description	Size	Q'ty
	1832DAS-FBSA	Front Bearing Seat Assembly (included 1~20)		
I1	TS-1504081E	Hex. Socket Cap Screw	M8x40L	1
I2	TS-1503051E	Hex. Socket Cap Screw	M6x20L	2
I3	1832DAS-I3	Nut	M10	2
I4	1832DAS-I4	Spring Washer	M10	4
I5	1832DAS-I5	Bearing Bush (long)		1
I6	1832DAS-I6	Bearing Bush (short)		1
I7	BB-6201ZZ	Bearing	6201	4
I8	1832DAS-I8	Bearing Shaft (long)		1
I9	1832DAS-I9	Bearing Shaft (short)		1
I10	1832DAS-I10	Carbide Guide		1
I11	1832DAS-I11	Carbide Guide		1
I12	1832DAS-I12	Spring Ping	5x12L	2
I13	1832DAS-I13	Adjusting Knob		1
I14	1832DAS-I14	Spring		1
I15	1832DAS-I15	Shaft		1
I16	1832DAS-I16	Bearing Bracket		1
I17	1832DAS-I17	Shaft		2
I18	1832DAS-I18	Bush		1
I19	BB-6200ZZ	Bearing	6200	2
I20	1832DAS-I20	Front Bearing Seat		1
	1832DAS-RBSA	Rear Bearing Seat Assembly (included 21~40)		
I21	TS-1504081E	Hex. Socket Cap Screw	M8x40L	1
I22	TS-1503051E	Hex. Socket Cap Screw	M6x20L	2
I23	1832DAS-I23	Bearing	BB2149	2
I24	1832DAS-I24	Bearing Bracket		1
I25	1832DAS-I25	Bush		1
I26	1832DAS-I26	Shaft		2
I27	1832DAS-I27	Carbide Guide		1
I28	1832DAS-I28	Carbide Guide		1
I29	1832DAS-I29	Spring Pin	5x12L	2
I30	1832DAS-I30	Shaft		1
I31	1832DAS-I31	Spring		1
I32	1832DAS-I32	Adjusting Knob		1
I33	1832DAS-I33	Bearing Shaft (long)		1
I34	1832DAS-I34	Bearing Shaft (short)		1
I35	BB-6201ZZ	Bearing	6201	4
I36	1832DAS-I36	Bearing Bush (short)		1
I37	1832DAS-I37	Bearing Bush (long)		1
I38	1832DAS-I38	Spring Washer	M10	2
I39	1832DAS-I39	Nut	M10	2
I40	1832DAS-I40	Rear Bearing Seat		1

MBS-1832DAS Electric Box Assembly

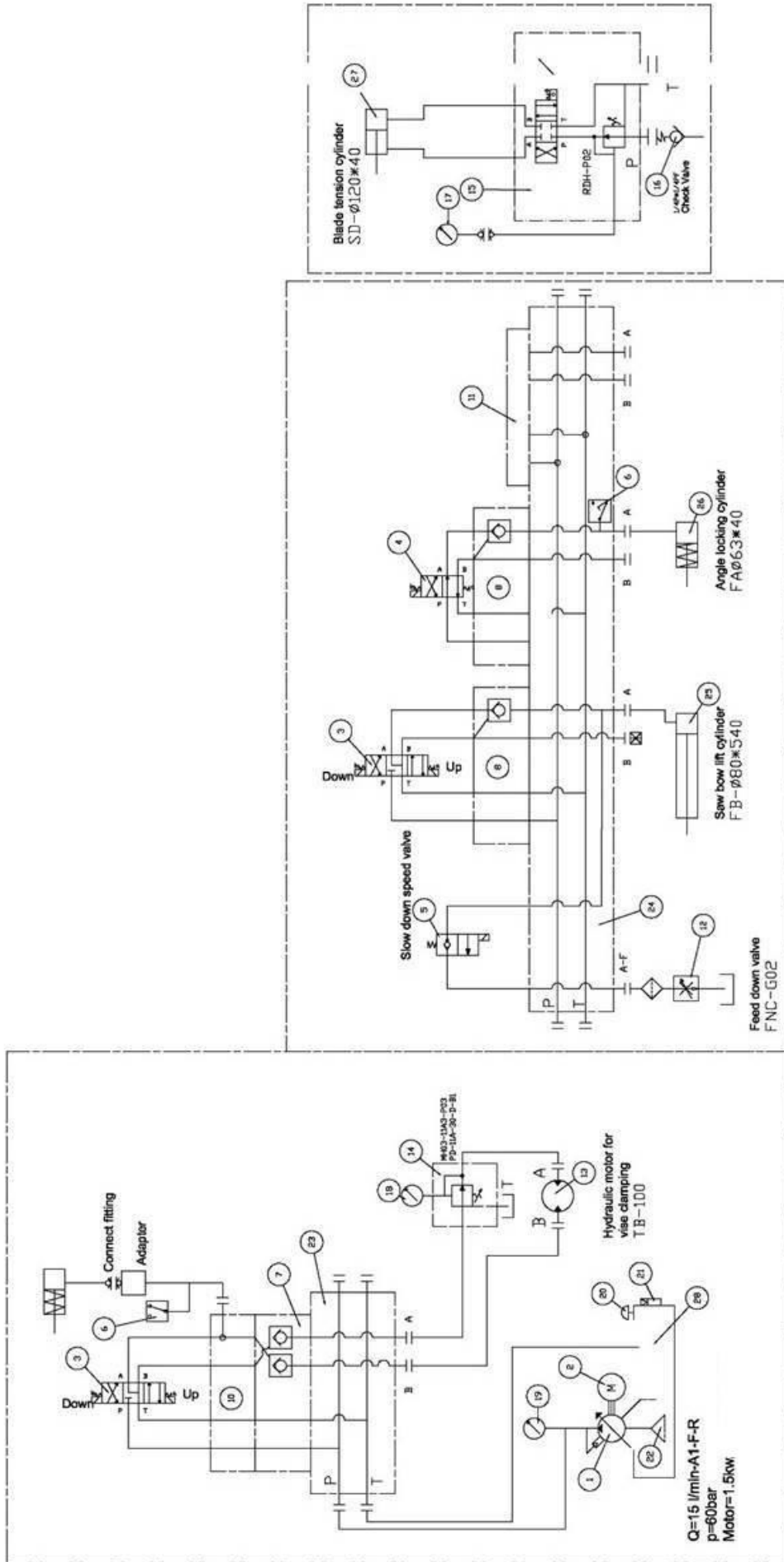
SECTION J



MBS-1832DAS Electric Box Assembly

Index No.	Part No.	Description	Size	Q'ty
J1	1832DAS-J1	Touch Screen		1
J2	1832DAS-J2	Operation Select Switch		1
J3	1832DAS-J3	Light Button		1
J4	1832DAS-J4	Coolant Pump Button		1
J5	1832DAS-J5	Bow Down Button		1
J6	1832DAS-J6	Bow Up Button		1
J7	1832DAS-J7	Emergency Stop Button		1
J8	1832DAS-J8	Power Indicator Light		1
J9	1832DAS-J9	Hydraulic Start Button		1
J10	1832DAS-J10	Operation Start Button		1
J11	1832DAS-J11	Operation Stop Button		1
J12	1832DAS-J12	Vise Open Button		1
J13	1832DAS-J13	Vise Close Button		1
J14	1832DAS-J14	Servomotor Actuator		1
J15	1832DAS-J15	Transformer	400VA	1
J16	1832DAS-J16	Transformer	560VA	1
J17	1832DAS-J17	Power Off Switch		1
J18	1832DAS-J18	Grounding Copper Plate		1
J19	1832DAS-J19	Inverter	5.5kW 400V	1
J20	1832DAS-J20	Circuit Breaker	32A	1
J21	1832DAS-J21	Fuse	4A	1
J22	1832DAS-J22	Fuse	4A	1
J23	1832DAS-J23	Fuse	6A	1
J24	1832DAS-J24	Fuse	1A	1
J25	1832DAS-J25	PLC		1
J26	1832DAS-J26	Terminal Board		1
J27	1832DAS-J27	Relay		1
J28	1832DAS-J28	Relay		1
J30	1832DAS-J30	Contactora	CU-16	1
J31	1832DAS-J31	Contactora	CU-11	1
J32	1832DAS-J32	Contactora	CU-11	1
J33	1832DAS-J33	Contactora	CU-11	1
J34	1832DAS-J34	Contactora	CU-11	1
J35	1832DAS-J35	Contactora	CU-11	1
J36	1832DAS-J36	Overload Relay		1
J37	1832DAS-J37	Overload Relay		1
J38	1832DAS-J38	Overload Relay		1
J39	1832DAS-J39	Terminal Board		1

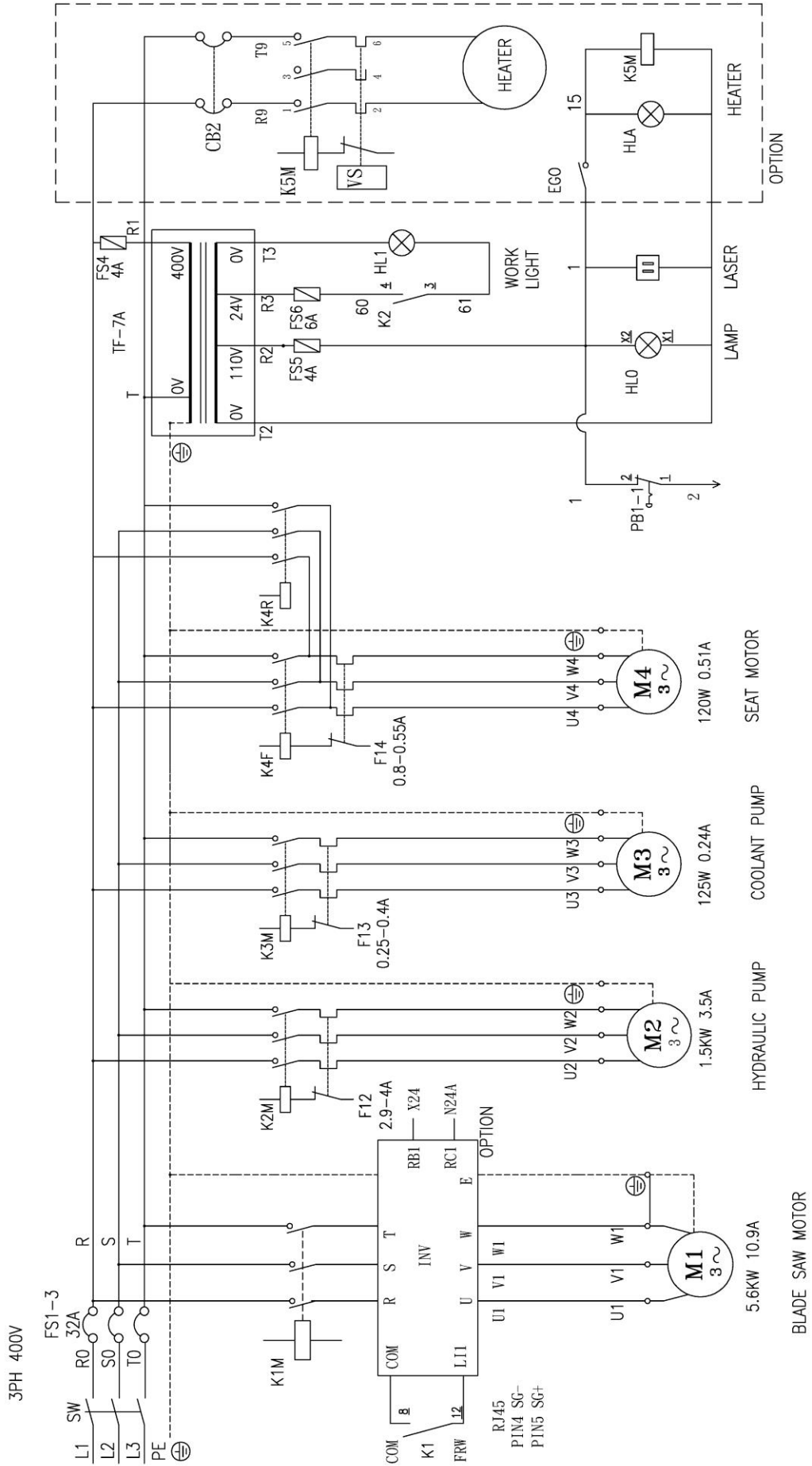
MBS-1832DAS Hydraulic Control Circuit

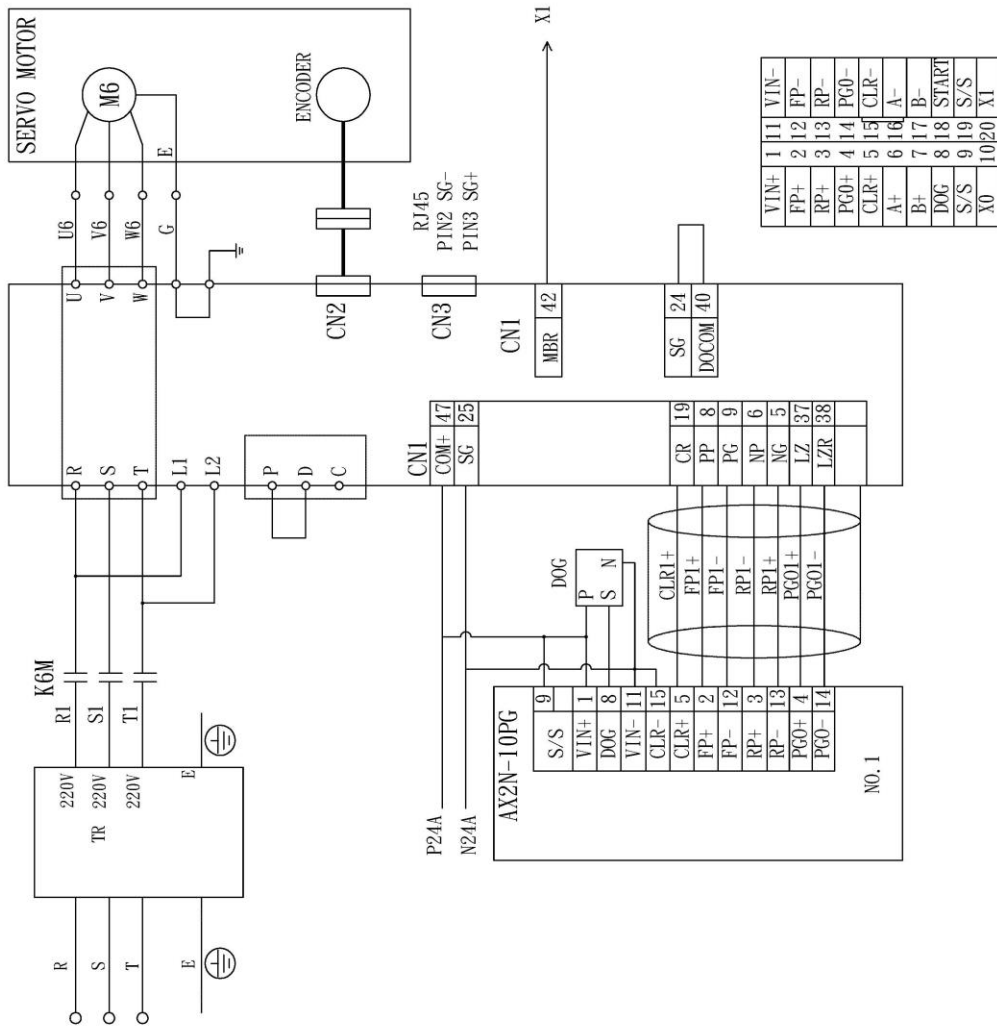
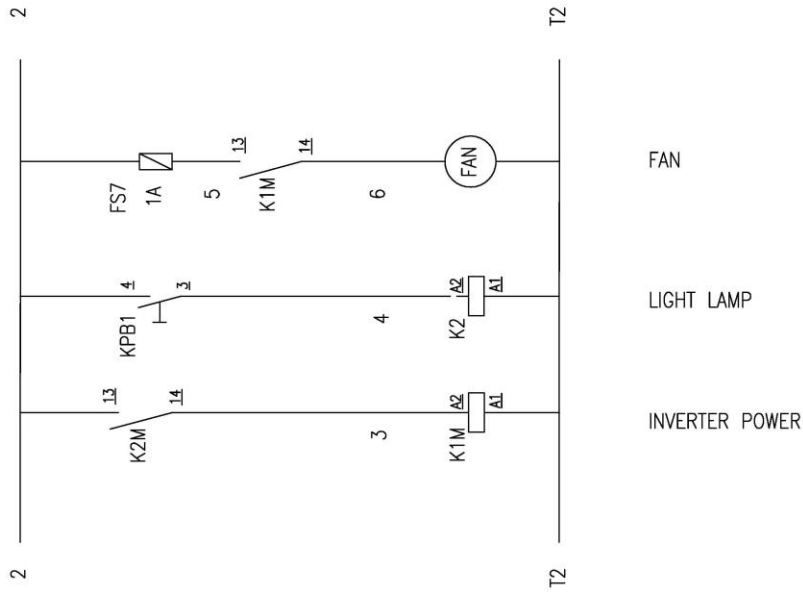


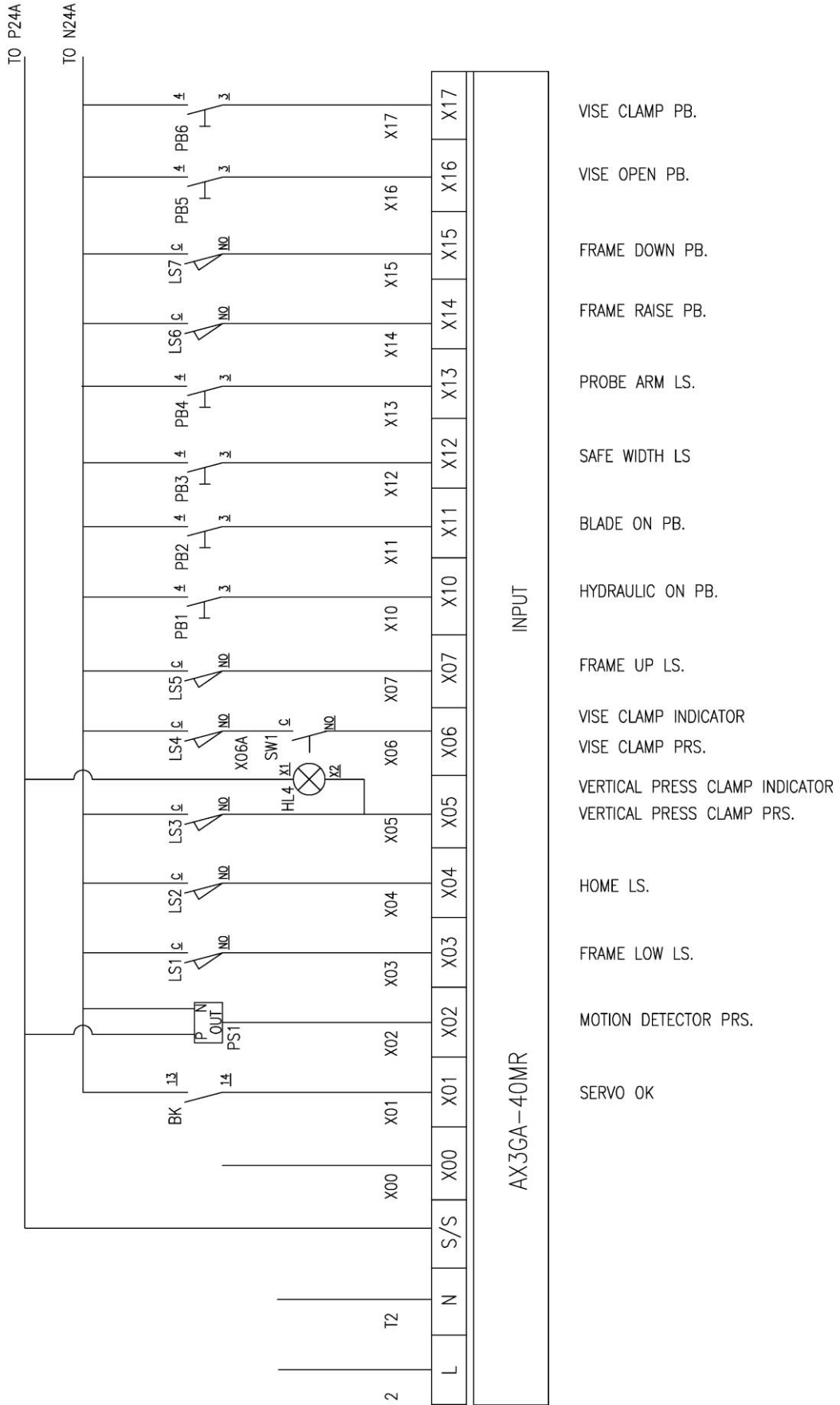
MBS-1832DAS Hydraulic Control Circuit Partslist

Index No.	Part No.	Description	Size	Q'ty
K1.....	1832DAS-K1	Hydraulic Motor.....	1.5kW 400V 3Ph.....	1
K2.....	1832DAS-K2	Pump.....	PVF-20-70-10	1
K3.....	1832DAS-K3	Directional Valve.....	DFA-02-3C4-A110	2
K4.....	1832DAS-K4	Directional Valve.....	DFA-02-2B3-A110	1
K5.....	1832DAS-K5	Check Valve	SV-10-20-A110	1
K6.....	1832DAS-K6	Pressure Switch.....	PMM50A-14K	2
K7.....	1832DAS-K7	Check Valve	MPC-02W-10.....	1
K8.....	1832DAS-K8	Check Valve	MPC-02A-10.....	2
K10.....	1832DAS-K10	Plate.....	1
K11.....	1832DAS-K11	Cover.....	G02	1
K12.....	1832DAS-K12	Down Feed Valve	FNC-02.....	1
K13.....	1832DAS-K13	Hydraulic Motor.....	TB100-AAA-AB.....	1
K14.....	1832DAS-K14	Reducing Valve.....	PB-T11A30BL-P02	1
K15.....	1832DAS-K15	Reducing Valve.....	RDH-P02	1
K16.....	1832DAS-K16	Check Valve	1/4Px1/4	1
K17.....	1832DAS-K17	Hydraulic Gauge	100kg	1
K18.....	1832DAS-K18	Hydraulic Gauge	100kg	1
K19.....	1832DAS-K19	Hydraulic Gauge	1
K20.....	1832DAS-K20	Oil Fitting	FB-06S	1
K21.....	1832DAS-K21	Oil Level Gauge	LA-40MM.....	1
K22.....	1832DAS-K22	Oil Strainer.....	MFC-04	1
K23.....	1832DAS-K23	Manifold Block	G02-2	1
K24.....	1832DAS-K24	Manifold Block	G02xSV10x4	1
K25.....	1832DAS-K25	Saw Bow Cylinder.....	FB 80x40x540ST	1
K26.....	1832DAS-K26	Angle Brake Cylinder	FA 63x40	1
K27.....	1832DAS-K27	Blade Tension Cylinder	SD 120x40.....	1
K28.....	1832DAS-K28	Oil Tank.....	1

MBS-1832DAS...50000320T 3~400V, 50Hz







AX3GA-40MR

INPUT

- WISE CLAMP PB.
- WISE OPEN PB.
- FRAME DOWN PB.
- FRAME RAISE PB.
- PROBE ARM LS.
- SAFE WIDTH LS
- BLADE ON PB.
- HYDRAULIC ON PB.
- FRAME UP LS.
- WISE CLAMP INDICATOR
- WISE CLAMP PRS.
- VERTICAL PRESS CLAMP INDICATOR
- VERTICAL PRESS CLAMP PRS.
- HOME LS.
- FRAME LOW LS.
- MOTION DETECTOR PRS.
- SERVO OK

