

LED Slim Work Light LED-M9T

Introduction:

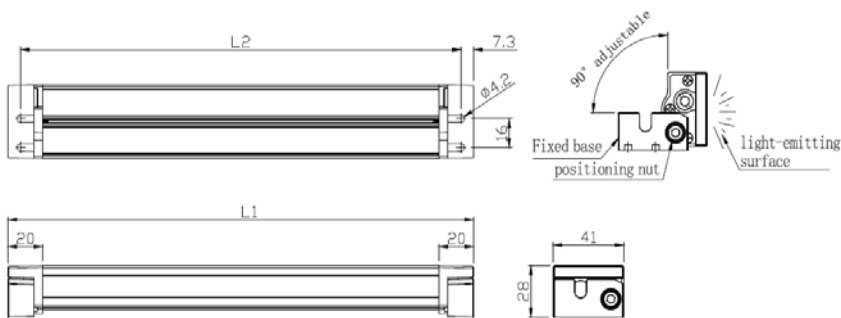
1. LED-M9T is designed for harsh environment.
2. Very slim and thin to meet special request on product's size.
3. Using anodized aluminum lamp body and tempered glass.
4. IP67 rating, resistant to high pressure wash, coolants and detergents.
5. High brightness SMD3030 LED chip, 85lm/w.
6. 90 degree rotatable to control lighting direction.
7. Easy to install, magnet installation optional.

Application:

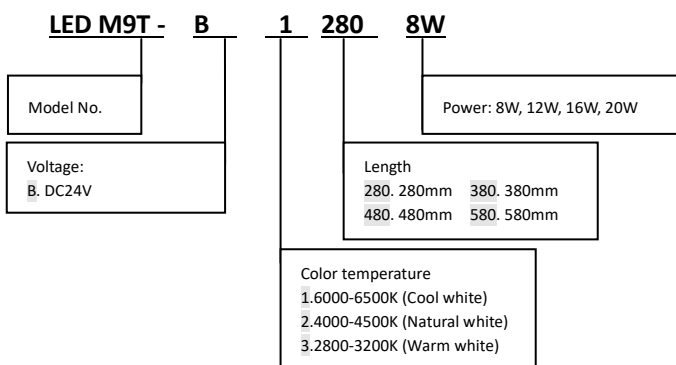
CNC machine work: engraving machine, EDM machine etc.
 Assembly and repair work.
 Laboratories.

Warranty: 2 years

Certification: CE, RoHS



Ordering code:

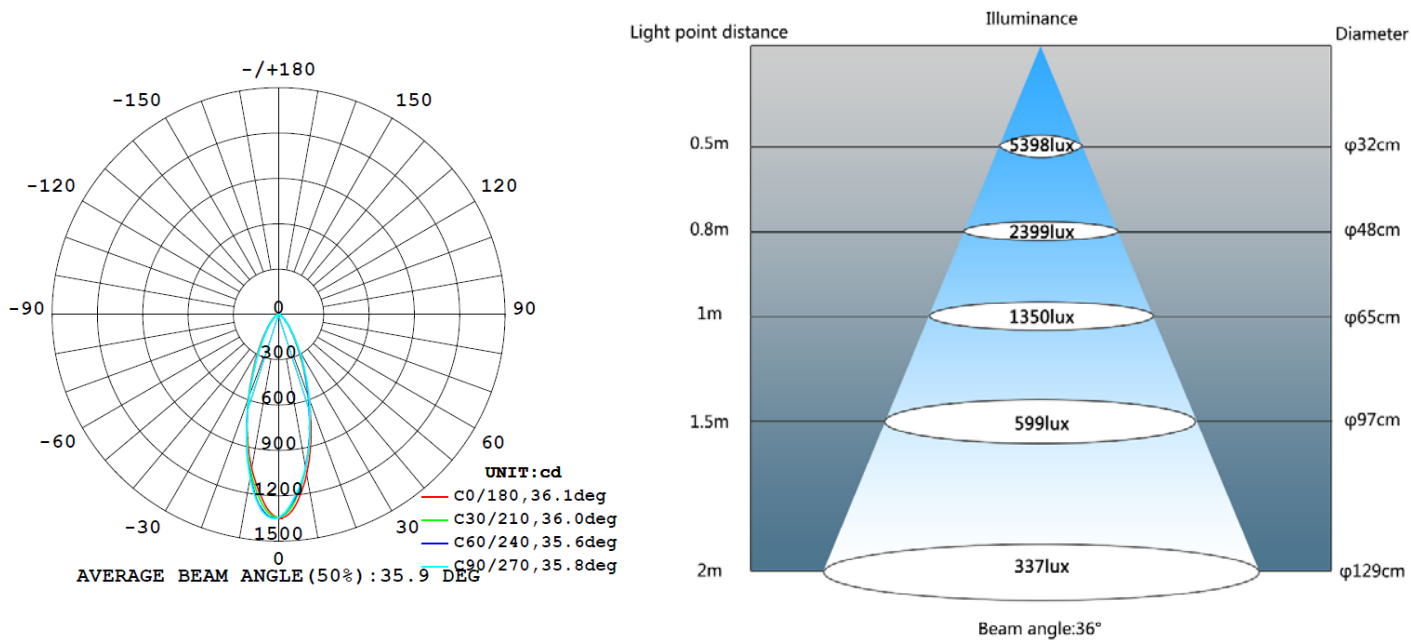


Parameter:

Power(length)	8W(280mm), 12W(380mm), 16W(480mm), 20W(580mm)
Input voltage	DC24V
Lumen efficiency	85lm/w
CRI	>80
IP rating	IP67
Beam angle	36 deg
Color temperature	2800-3200K, 4000-4500K, 6000-6500K
Material	Aluminum housing , Tempered glass
Lifetime	50,000 hours
Working temperature/ humidity	-20~45°C / 10%-90%
Storage temperature/ humidity	-40~60°C / 10%-90%
Installation	Fixed by screws

LightGen

Light distribution data (8W)



Wire connection:

DC24V Cable

Positive(+): Red



Negative(-): White

Package info

	280	380	480	580
Qty/carton	20pcs/carton	20pcs/carton	20pcs/carton	20pcs/carton
Carton Size	L435*W240*H210mm	L435*W240*H210mm	L635*W230*H205mm	L635*W230*H205mm
Net Weight	7kg	9.6kg	12.2kg	14.8kg
Gross Weight	8.68kg	12kg	13kg	15kg

